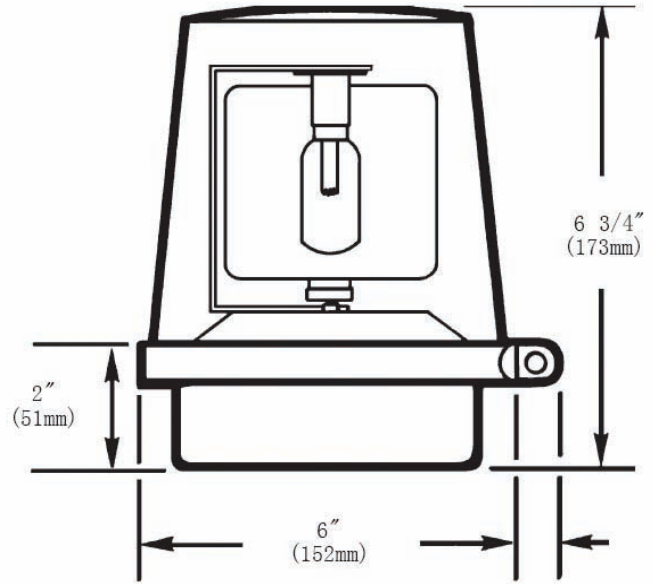


700 Series Visual Signals



Cat. No.	Lens Color	Lamp Ratings	Revolution Rate	Electrical Ratings	Replacement Lamp Cat. No.
700-RA120	Amber	40 Watts (Max)	75 rpm	120V 50/60 Hz 0.35Amps	Industry Std 25T8DC
700-RB120	Blue	265 lumens*			
700-RC120	Clear	3328 candlepower			
700-RG120	Green	25,000 hours**			
700-RR120	Red				
700-RA240	Amber	40 Watts (Max)	75 rpm	220-240V 50/60 Hz 0.2 Amps	Industry Std 25T8DC
700-RB240	Blue	265 lumens*			
700-RC240	Clear	3328 candlepower			
700-RG240	Green	25,000 hours**			
700-RR240	Red				
700-RA24	Amber	25 Watts (Max)	75 rpm	24V DC 1.2Amps	Industry Std 1638
700-RB24	Blue	226 lumens*			
700-RC24	Clear	2839 candlepower			
700-RG24	Green	25,000 hours**			
700-RR24	Red				

* Manufacturer's lumen rating.

** Projected lamp life based on manufacturer's calculated lamp life @ 65 FPM and 50% duty cycle.

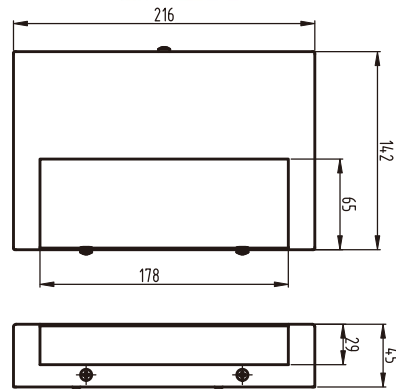
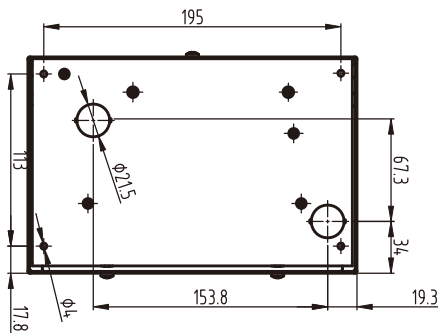
EMERGENCY LIGHTS

SUNS emergency lights are designed for use in new construction, modernization, and direct replacement for existing units. Meeting both lighting and alarm codes ANSI A17.1, these systems contain maintenance-free nickel cadmium batteries, and solid state circuitry with accessory terminals for use with 6V DC alarm bell.

Model ELWS-2

- * Wall surface mount
- * Brushed steel finish, 5-1/2" x 8-1/2"
- * Alarm bell (optional) can be wired into terminal strip

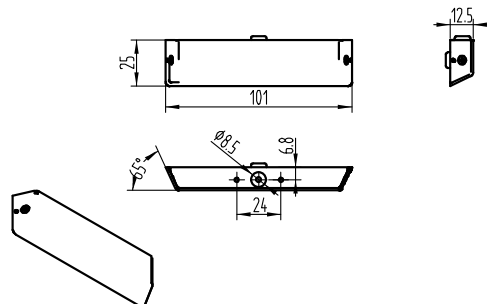
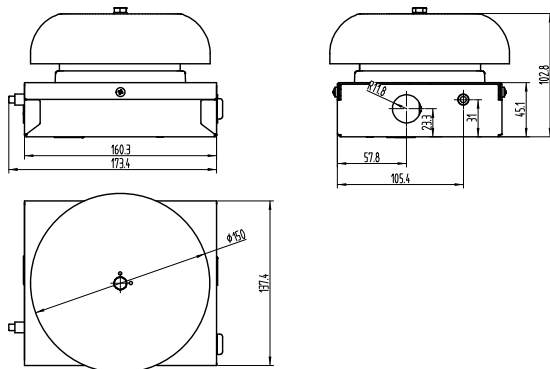
ELWS-2 Dimensions



Model ELSL-2

- * Remote trimline model
- * Car top mount power supply with alarm bell
- * 18 gauge galvanized steel box
- * External test switch
- * Remote light source 7" x 1-7/8" x 1"
- (can be mounted in car above operating panel or ceiling)

ELSL-2 Dimensions



Model ELPB-1

- * Replacement PCB board for ELWS-2 and ELSL-2
- * Mounts inside car operating panel

