

POSITIVE OPENING MINIATURE SWITCHES

VP Series

Features

- Industry standard design with 11 A ratings
- Choose from a variety of levers, terminals
- Positive opening contacts
- Self cleaning contacts
- Long service life of 10,000,000 operations
- RoHS Compliant

Specifications

Operating Speed	0.01mm to 1m/sec (Plunger models without levers)
Operating Frequency	Mechanical: 600 ops/min; Electrical: 60 ops/min
Service Life	Mechanical: 10,000,000 (operations) Electrical: 10,000 min. (operations)
Rated Current/Voltage	0.1A, 3A, 5A, 11A, 16A 1/2HP 125/250VAC
Operating Temperature	Standard: -40°C~+85°C(-40°F~+185°F) High temperature: up to +150°C(302°F)
Dielectric Strength	1,000 VAC, 50/60 Hz for 1 min between terminals of the same polarity 2,500 VAC, 50/60 Hz for 1 min between current-carrying metal parts and ground, and between each terminal and non-current-carrying metal parts
Insulation Resistance	>100MΩ @500VDC
Contact Resistance	<25MΩ (Initial value)

Selection Guide:

VP -	11	G						
	Current A	Actuator	Max. Operating Force	Hinge Position	Terminal Type	Options	Contact	
	01 0.1 A	none Pin plunger	E 150g max	None Far from plunger	A 0.187x0.020 Tab	None 1NO/1NC	None Silver	
	1 1 A	1 Short hinge lever	G 300g max	T Near plunger	C 0.250x0.032 Tab	1 1NO only	K Gold plated	
	3 3 A	2 Hinge lever	H 400g max		E Short solder lug	2 1NC only		
	5 5 A	3 Long hinge lever			S Screw			
	11 11 A	4 Simulated roller lever			PL Left PCB			
		5 Short metal roller lever			PR Right PCB			
		5P Short plastic roller lever						
		6 Metal hinge roller lever						
		6P Plastic hinge roller lever						
		7 Simulated roller lever(long)						
		8 Custom lever						

Definitions of Operating Characteristics

OF Operating Force	PT Pretravel
RF Releasing Force	MD Movement Differential
OT Overtravel	OP Operating Position
TT Total Travel	PO Travel to Positive Opening
FP Free Position	

Picture and Dimensions:

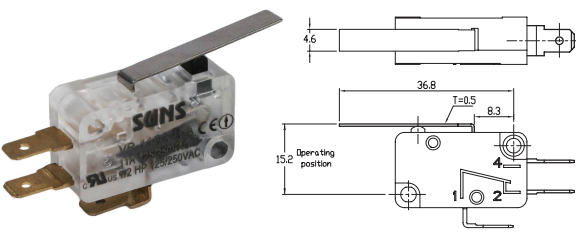
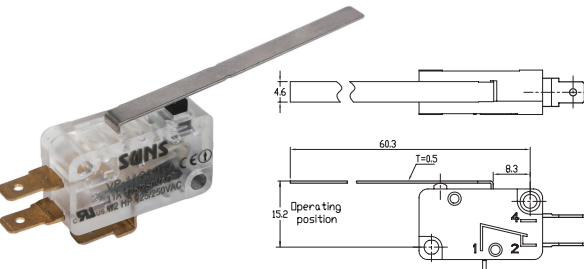
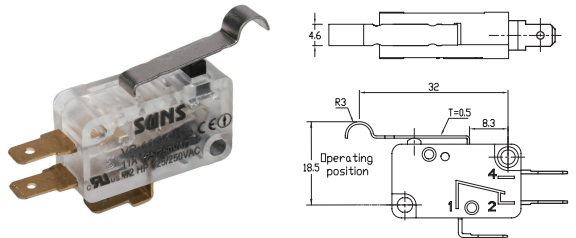
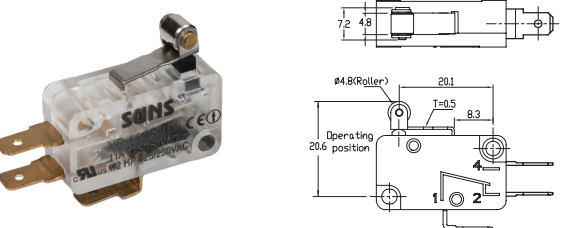
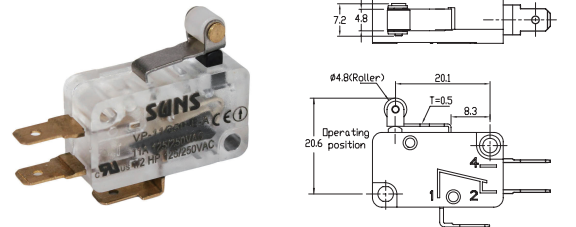
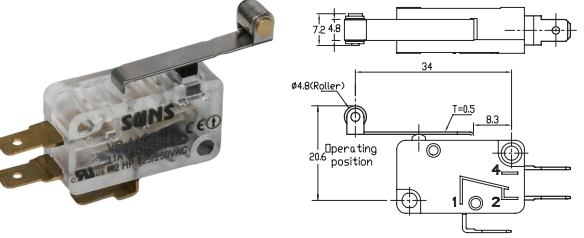
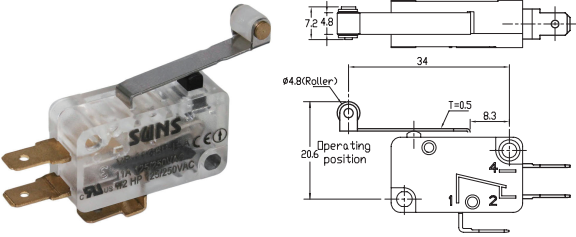
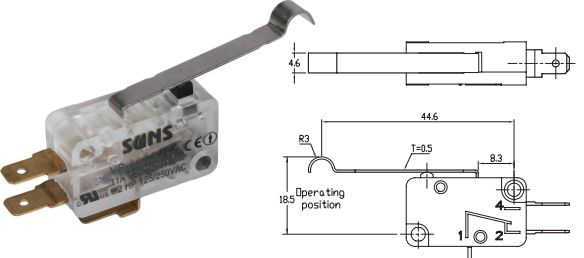
VP-11GVP-G Operating Characteristics

Suffix	E	G	H		
OF (Max)	150/300/400g	MD (Max)	0.25 mm	OT (Min)	1.27 mm
PT (Max)	1.19 mm	OP	14.7 ± 0.4 mm	PO (Max)	13.4 mm

VP-11G1/VP-G1 Operating Characteristics

Suffix	E	G	H		
OF (Max)	160/300/400g	MD (Max)	0.36 mm	OT (Min)	1.27 mm
PT (Max)	1.52 mm	OP	15.2 ± 0.5 mm	PO (Max)	13.9 mm

POSITIVE OPENING MINIATURE SWITCHES VP Series

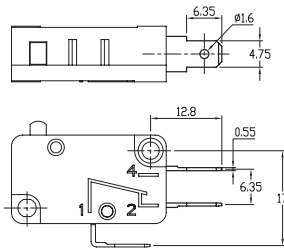
																																											
<p>VP-11G2/VP_G2 Operating Characteristics</p> <table border="0"> <tr> <td>Suffix</td> <td>E</td> <td>G</td> <td>H</td> <td></td> <td></td> <td></td> </tr> <tr> <td>OF (Max)</td> <td>80/ 160/ 215g</td> <td>MD (Max)</td> <td>0.8 mm</td> <td>OT (Min)</td> <td>2.2 mm</td> <td></td> </tr> <tr> <td>PT (Max)</td> <td>3.04 mm</td> <td>OP</td> <td>15.2 ± 1.2 mm</td> <td>PO(Max)</td> <td>13.9 mm</td> <td></td> </tr> </table>	Suffix	E	G	H				OF (Max)	80/ 160/ 215g	MD (Max)	0.8 mm	OT (Min)	2.2 mm		PT (Max)	3.04 mm	OP	15.2 ± 1.2 mm	PO(Max)	13.9 mm		<p>VP-11G3/VP_G3 Operating Characteristics</p> <table border="0"> <tr> <td>Suffix</td> <td>E</td> <td>G</td> <td>H</td> <td></td> <td></td> <td></td> </tr> <tr> <td>OF (Max)</td> <td>45/ 90/ 120g</td> <td>MD (Max)</td> <td>2 mm</td> <td>OT (Min)</td> <td>3 mm</td> <td></td> </tr> <tr> <td>PT (Max)</td> <td>6.0 mm</td> <td>OP</td> <td>15.2 ± 2.6 mm</td> <td>PO(Max)</td> <td>13.5 mm</td> <td></td> </tr> </table>	Suffix	E	G	H				OF (Max)	45/ 90/ 120g	MD (Max)	2 mm	OT (Min)	3 mm		PT (Max)	6.0 mm	OP	15.2 ± 2.6 mm	PO(Max)	13.5 mm	
Suffix	E	G	H																																								
OF (Max)	80/ 160/ 215g	MD (Max)	0.8 mm	OT (Min)	2.2 mm																																						
PT (Max)	3.04 mm	OP	15.2 ± 1.2 mm	PO(Max)	13.9 mm																																						
Suffix	E	G	H																																								
OF (Max)	45/ 90/ 120g	MD (Max)	2 mm	OT (Min)	3 mm																																						
PT (Max)	6.0 mm	OP	15.2 ± 2.6 mm	PO(Max)	13.5 mm																																						
																																											
<p>VP-11G4/VP_G4 Operating Characteristics</p> <table border="0"> <tr> <td>Suffix</td> <td>E</td> <td>G</td> <td>H</td> <td></td> <td></td> <td></td> </tr> <tr> <td>OF (Max)</td> <td>90/ 180/ 225g</td> <td>MD (Max)</td> <td>0.8 mm</td> <td>OT (Min)</td> <td>1.55 mm</td> <td></td> </tr> <tr> <td>PT (Max)</td> <td>2.8 mm</td> <td>OP</td> <td>18.5 ± 1.2 mm</td> <td>PO(Max)</td> <td>17.2 mm</td> <td></td> </tr> </table>	Suffix	E	G	H				OF (Max)	90/ 180/ 225g	MD (Max)	0.8 mm	OT (Min)	1.55 mm		PT (Max)	2.8 mm	OP	18.5 ± 1.2 mm	PO(Max)	17.2 mm		<p>VP-11G5/VP_G5 Operating Characteristics</p> <table border="0"> <tr> <td>Suffix</td> <td>E</td> <td>G</td> <td>H</td> <td></td> <td></td> <td></td> </tr> <tr> <td>OF (Max)</td> <td>160/ 300/ 400g</td> <td>MD (Max)</td> <td>0.38 mm</td> <td>OT (Min)</td> <td>0.86 mm</td> <td></td> </tr> <tr> <td>PT (Max)</td> <td>1.42 mm</td> <td>OP</td> <td>20.5 ± 0.6 mm</td> <td>PO(Max)</td> <td>19.2 mm</td> <td></td> </tr> </table>	Suffix	E	G	H				OF (Max)	160/ 300/ 400g	MD (Max)	0.38 mm	OT (Min)	0.86 mm		PT (Max)	1.42 mm	OP	20.5 ± 0.6 mm	PO(Max)	19.2 mm	
Suffix	E	G	H																																								
OF (Max)	90/ 180/ 225g	MD (Max)	0.8 mm	OT (Min)	1.55 mm																																						
PT (Max)	2.8 mm	OP	18.5 ± 1.2 mm	PO(Max)	17.2 mm																																						
Suffix	E	G	H																																								
OF (Max)	160/ 300/ 400g	MD (Max)	0.38 mm	OT (Min)	0.86 mm																																						
PT (Max)	1.42 mm	OP	20.5 ± 0.6 mm	PO(Max)	19.2 mm																																						
																																											
<p>VP-11G5P/VP_G5P Operating Characteristics</p> <table border="0"> <tr> <td>Suffix</td> <td>E</td> <td>G</td> <td>H</td> <td></td> <td></td> <td></td> </tr> <tr> <td>OF (Max)</td> <td>160/ 300/ 400g</td> <td>MD (Max)</td> <td>0.38 mm</td> <td>OT (Min)</td> <td>0.86 mm</td> <td></td> </tr> <tr> <td>PT (Max)</td> <td>1.42 mm</td> <td>OP</td> <td>20.5 ± 0.6 mm</td> <td>PO(Max)</td> <td>19.2 mm</td> <td></td> </tr> </table>	Suffix	E	G	H				OF (Max)	160/ 300/ 400g	MD (Max)	0.38 mm	OT (Min)	0.86 mm		PT (Max)	1.42 mm	OP	20.5 ± 0.6 mm	PO(Max)	19.2 mm		<p>VP-11G6/VP_G6 Operating Characteristics</p> <table border="0"> <tr> <td>Suffix</td> <td>E</td> <td>G</td> <td>H</td> <td></td> <td></td> <td></td> </tr> <tr> <td>OF (Max)</td> <td>90/ 175/ 225g</td> <td>MD (Max)</td> <td>0.76 mm</td> <td>OT (Min)</td> <td>1.52 mm</td> <td></td> </tr> <tr> <td>PT (Max)</td> <td>3.07 mm</td> <td>OP</td> <td>20.5 ± 1.6 mm</td> <td>PO(Max)</td> <td>18.5 mm</td> <td></td> </tr> </table>	Suffix	E	G	H				OF (Max)	90/ 175/ 225g	MD (Max)	0.76 mm	OT (Min)	1.52 mm		PT (Max)	3.07 mm	OP	20.5 ± 1.6 mm	PO(Max)	18.5 mm	
Suffix	E	G	H																																								
OF (Max)	160/ 300/ 400g	MD (Max)	0.38 mm	OT (Min)	0.86 mm																																						
PT (Max)	1.42 mm	OP	20.5 ± 0.6 mm	PO(Max)	19.2 mm																																						
Suffix	E	G	H																																								
OF (Max)	90/ 175/ 225g	MD (Max)	0.76 mm	OT (Min)	1.52 mm																																						
PT (Max)	3.07 mm	OP	20.5 ± 1.6 mm	PO(Max)	18.5 mm																																						
																																											
<p>VP-11G6P/VP_G6P Operating Characteristics</p> <table border="0"> <tr> <td>Suffix</td> <td>E</td> <td>G</td> <td>H</td> <td></td> <td></td> <td></td> </tr> <tr> <td>OF (Max)</td> <td>90/ 175/ 225g</td> <td>MD (Max)</td> <td>0.76 mm</td> <td>OT (Min)</td> <td>1.52 mm</td> <td></td> </tr> <tr> <td>PT (Max)</td> <td>3.07 mm</td> <td>OP</td> <td>20.5 ± 1.6 mm</td> <td>PO(Max)</td> <td>18.5 mm</td> <td></td> </tr> </table>	Suffix	E	G	H				OF (Max)	90/ 175/ 225g	MD (Max)	0.76 mm	OT (Min)	1.52 mm		PT (Max)	3.07 mm	OP	20.5 ± 1.6 mm	PO(Max)	18.5 mm		<p>VP-11G7/VP_G7 Operating Characteristics</p> <table border="0"> <tr> <td>Suffix</td> <td>E</td> <td>G</td> <td>H</td> <td></td> <td></td> <td></td> </tr> <tr> <td>OF (Max)</td> <td>73/ 150/ 200g</td> <td>MD (Max)</td> <td>2 mm</td> <td>OT (Min)</td> <td>3 mm</td> <td></td> </tr> <tr> <td>PT (Max)</td> <td>6.0mm</td> <td>OP</td> <td>20.5 ± 2.0 mm</td> <td>PO(Max)</td> <td>18.3 mm</td> <td></td> </tr> </table>	Suffix	E	G	H				OF (Max)	73/ 150/ 200g	MD (Max)	2 mm	OT (Min)	3 mm		PT (Max)	6.0mm	OP	20.5 ± 2.0 mm	PO(Max)	18.3 mm	
Suffix	E	G	H																																								
OF (Max)	90/ 175/ 225g	MD (Max)	0.76 mm	OT (Min)	1.52 mm																																						
PT (Max)	3.07 mm	OP	20.5 ± 1.6 mm	PO(Max)	18.5 mm																																						
Suffix	E	G	H																																								
OF (Max)	73/ 150/ 200g	MD (Max)	2 mm	OT (Min)	3 mm																																						
PT (Max)	6.0mm	OP	20.5 ± 2.0 mm	PO(Max)	18.3 mm																																						

POSITIVE OPENING MINIATURE SWITCHES

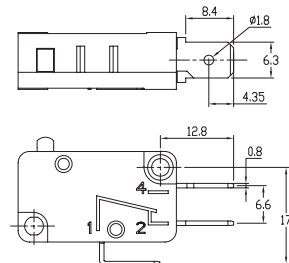
VP Series

Terminals:

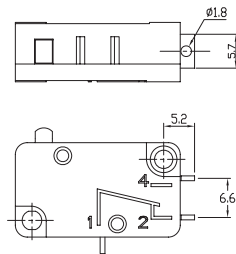
VP Series -A
0.187x0.020 Tab



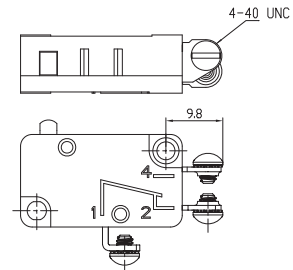
VP Series -C
0.250x0.032 Tab



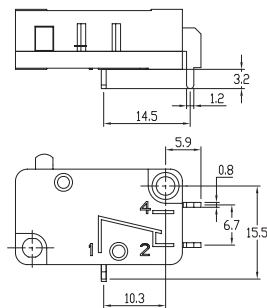
VP Series -E
Short Lug



VP Series -S
Screw Terminal



VP Series -PR
Right PCB



VP Series -PL
Left PCB

