

## FS-8\_R Series Medical Foot Switches (IPX8, Rocker Style)

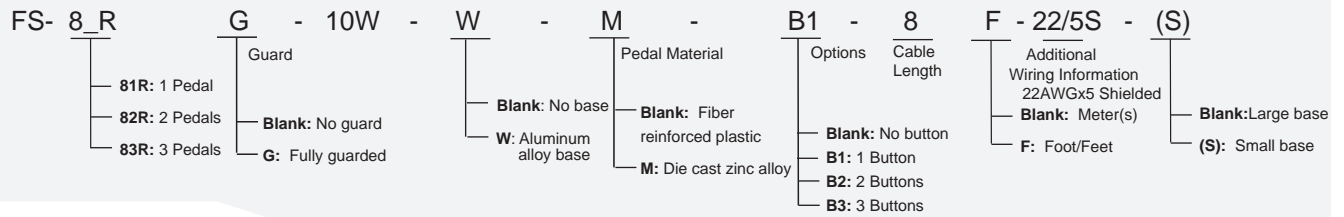
### Features

- Robust glass fiber reinforced plastic or die cast zinc alloy pedal
- Compact design
- Pedal rocks left and right for multifunction applications
- Various base options available

### Specifications

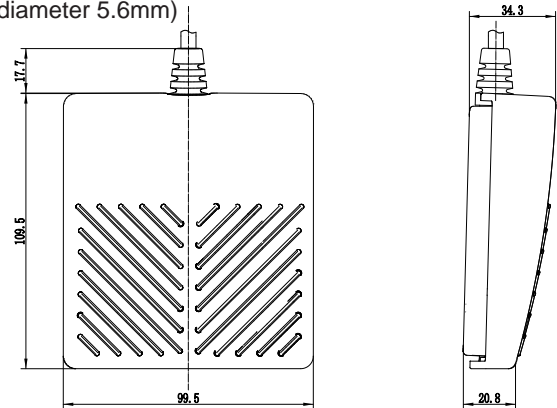
Operating Frequency	60 ops/min
Insulation Resistance	>100MΩ@500V DC
Contact Resistance	<25mΩ (initial)
Rated Current/Voltage	10A/15A 1/2HP 250VAC
Inrush Current	Complies with IEC947-5-1: AC15/DC13
Dielectric Strength	1000VAC for 1 min between current carrying parts 2500VAC for 1 min between non-current carrying parts
Service Life	1 x 10 <sup>6</sup> (operations)
Operating Temperature	-30~+80°C (-22~176°F)
Degree of Protection	IPX8

### Selection Guide:

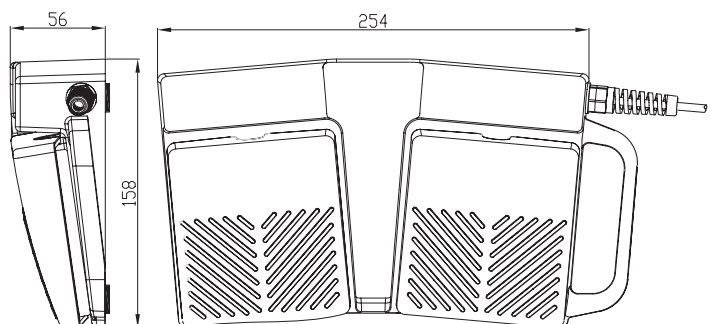


### Dimensions:

**FS-81R-10W-2-20/4S** (20AWGx4, shielded, 1NO/1NC, cable diameter 7.0mm)  
**FS-81R-10W-2-22/5S** (22AWGx5, shielded, 1NO/1NC, cable diameter 5.6mm)



**FS-82R-10W-2-22/5S** (22AWGx5, shielded, 2 meters, 2x 1NO, cable diameter 5.6mm)  
**FS-82R-10W-B1-26/7** (26AWGx7, PUR, coiled, 3x 1NO, cable diameter 5.3mm)  
**FS-82R-10W-B2-26/7** (26AWGx7, PUR, coiled, 4x 1NO, cable diameter 5.3mm)

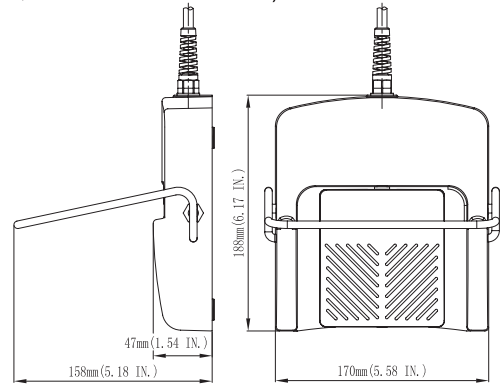


## FS-8\_R Series Medical Foot Switches (IPx8)

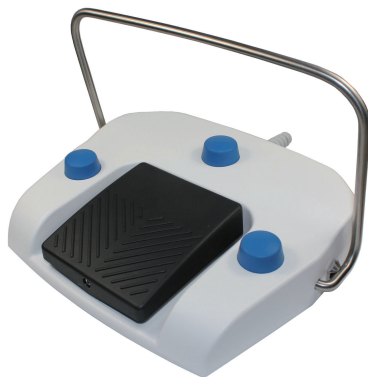
- FS-81R-10W-W-2-20/4S** (20AWGx4, shielded, 2 meters, 2x 1NO, cable diameter 7.0mm)
- FS-81R-10W-W-B1-20/4S** (20AWGx4, shielded, 2 meters, 3x 1NO, cable diameter 7.0mm)
- FS-82R-10W-W-B1-22/5S** (22AWGx5, shielded, 2 meters, 3x 1NO, cable diameter 5.6mm)
- FS-82R-10W-W-B2-22/5S** (22AWGx5, shielded, 2 meters, 4x 1NO, cable diameter 5.6mm)



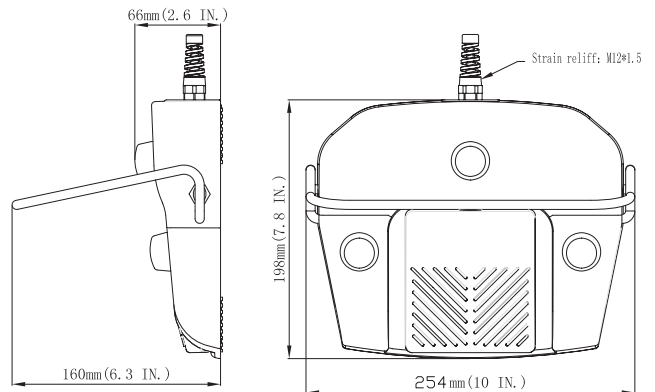
Unitary aluminium alloy base



- FS-81R-SP-W-B3-2-26/7** (26AWGx7, PUR, coiled, 5x 1NO, cable diameter 5.3mm)



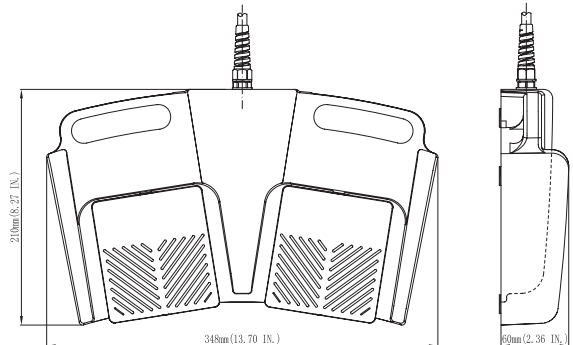
Unitary aluminium alloy base



- FS-82R-10W-W-2-22/5S** (22AWGx5, shielded, 2 meters, 4x 1NO, cable diameter 5.6mm)
- FS-82R-10W-W-B1-2-26/7** (26AWGx7, PUR, coiled, 5x 1NO, cable diameter 5.3mm)



Unitary aluminium alloy base

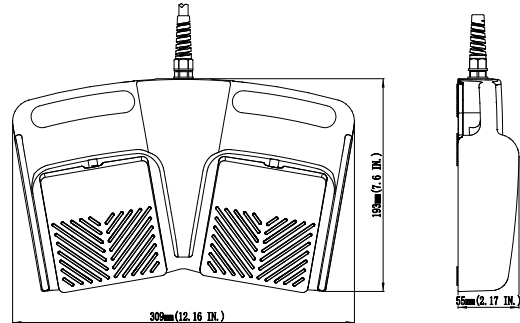


## FS-8\_R Series Medical Foot Switches (IPx8)

**FS-82R-10W-W-2-22/5S(S)** (22AWGx5, shielded, 2 meters, 4x 1NO, cable diameter 5.6mm)  
**FS-82R-10W-W-B1-2-26/7(S)** (26AWGx7, PUR, coiled, 5x 1NO, cable diameter 5.3mm)



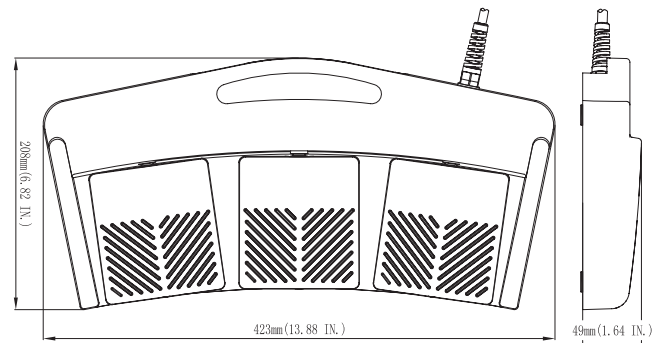
Unitary aluminium alloy base



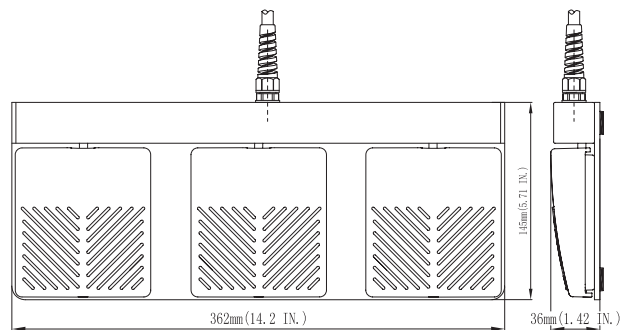
**FS-83R-10W-W-26/7** (26AWGx7, PUR, coiled, 6x 1NO, cable diameter 5.3mm)



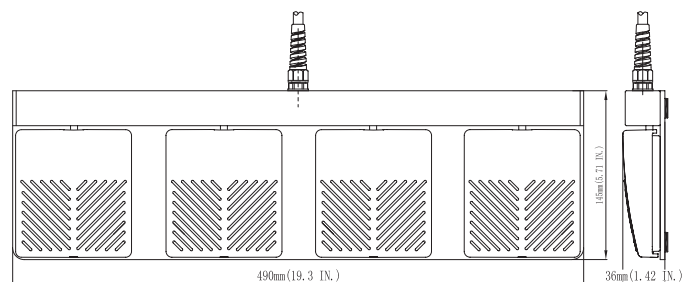
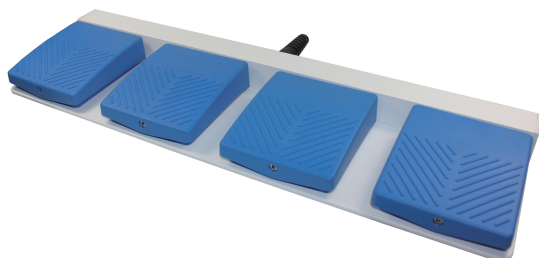
Unitary aluminium alloy base



**FS-81R-10W(3-PEDAL) Black** (26AWGx7, PUR, coiled, 6x 1NO, cable diameter 5.3mm)



**FS-81R-10W(4-PEDAL)** (26AWGx9, PUR, coiled, 8x 1NO, cable diameter 5.3mm)



## FS-21 Series Medical Foot Switches (IPX8)

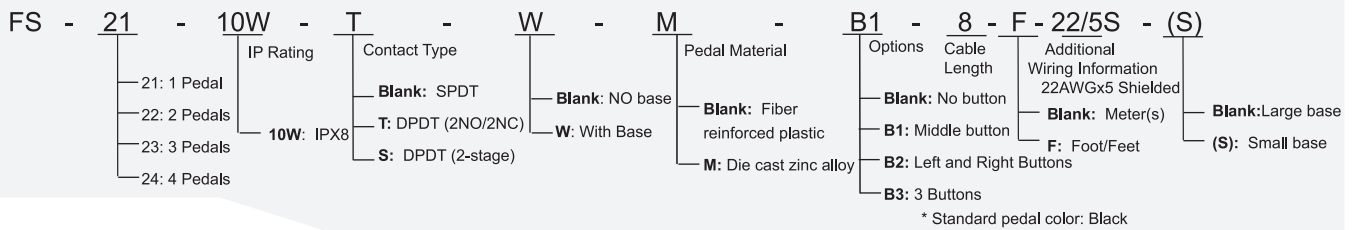
### Features

- Robust glass fiber reinforced plastics
- Compact design
- Galvanically separated contacts with double-break
- Various base options available

### Specifications

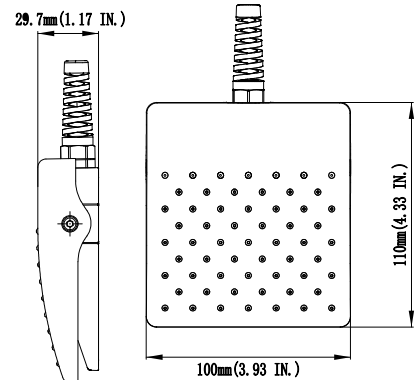
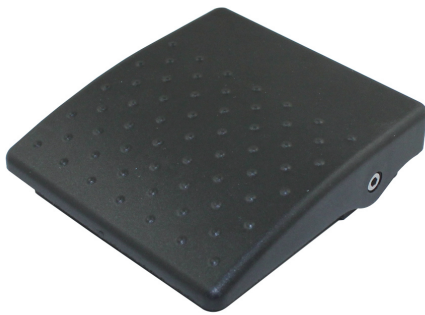
Operating Frequency	60 ops/min
Insulation Resistance	>100MΩ@500V DC
Contact Resistance	<25mΩ (initial)
Rated Current/Voltage	10A/15A 1/2HP 250VAC
Inrush Current	Complies with IEC947-5-1: AC15/DC13
Dielectric Strength	1000VAC for 1 min between current carrying parts 2500VAC for 1 min between non-current carrying parts
Service Life	1 x 10 <sup>6</sup> (operations)
Operating Temperature	-30~+80°C (-22~176°F)
Degree of Protection	IPX8

### Selection Guide:



### Dimensions:

**FS-21-10W-2-20/4S** (20AWGx4, shielded, 2 meters, 1NO/1NC, cable diameter 7.0mm)  
**FS-21-10W-2-22/5S** (22AWGx5, shielded, 2 meters, 1NO/1NC, cable diameter 5.6mm)



**FS-22-10W-2-20/4S** (20AWGx4, shielded, 2 meters, 2x 1NO, cable diameter 7.0mm)  
**FS-22-10W-2-22/5S** (22AWGx5, shielded, 2 meters, 2x 1NO, cable diameter 5.6mm)  
**FS-22-10W-B1-2-20/4S** (20AWGx4, shielded, 2 meters, 3x 1NO, cable diameter 7.0mm)  
**FS-22-10W-B1-2-22/5S** (22AWGx5, shielded, 2 meters, 3x 1NO, cable diameter 5.6mm)

