

FS-21 Series Medical Foot Switches (IPX8)

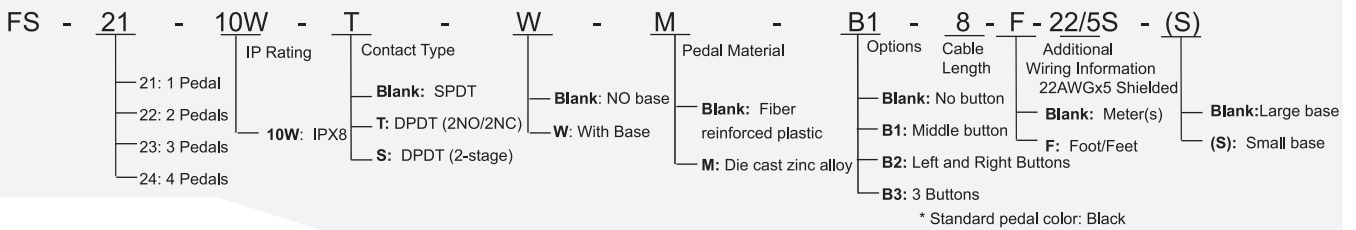
Features

- Robust glass fiber reinforced plastics
- Compact design
- Galvanically separated contacts with double-break
- Various base options available

Specifications

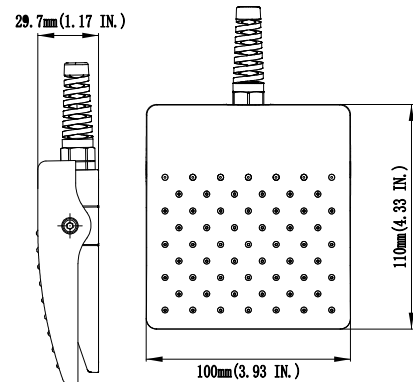
| | |
|-----------------------|--|
| Operating Frequency | 60 ops/min |
| Insulation Resistance | >100MΩ@500V DC |
| Contact Resistance | <25mΩ (initial) |
| Rated Current/Voltage | 10A/15A 1/2HP 250VAC |
| Inrush Current | Complies with IEC947-5-1: AC15/DC13 |
| Dielectric Strength | 1000VAC for 1 min between current carrying parts 2500VAC for 1 min between non-current carrying parts |
| Service Life | 1 x 10 ⁶ (operations) |
| Operating Temperature | -30~+80°C (-22~176°F) |
| Degree of Protection | IPX8 |

Selection Guide:

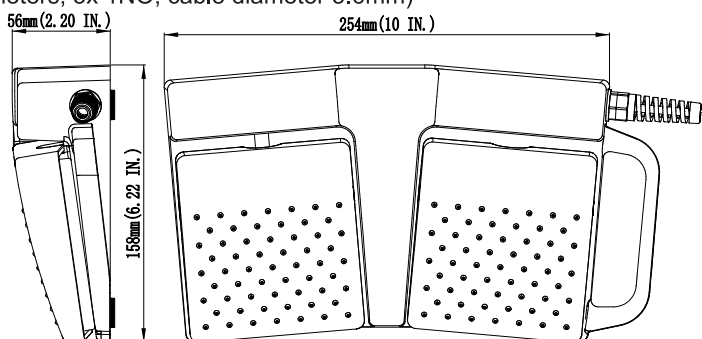
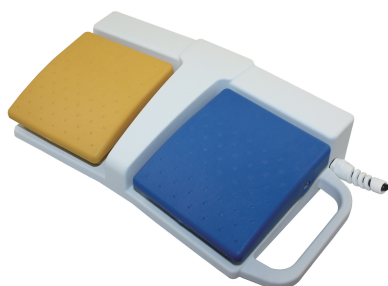


Dimensions:

FS-21-10W-2-20/4S (20AWGx4, shielded, 2 meters, 1NO/1NC, cable diameter 7.0mm)
FS-21-10W-2-22/5S (22AWGx5, shielded, 2 meters, 1NO/1NC, cable diameter 5.6mm)

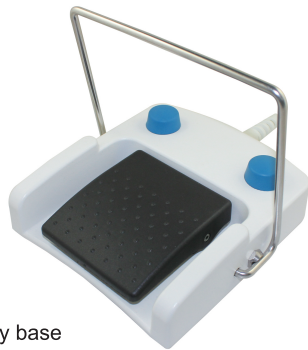


FS-22-10W-2-20/4S (20AWGx4, shielded, 2 meters, 2x 1NO, cable diameter 7.0mm)
FS-22-10W-2-22/5S (22AWGx5, shielded, 2 meters, 2x 1NO, cable diameter 5.6mm)
FS-22-10W-B1-2-20/4S (20AWGx4, shielded, 2 meters, 3x 1NO, cable diameter 7.0mm)
FS-22-10W-B1-2-22/5S (22AWGx5, shielded, 2 meters, 3x 1NO, cable diameter 5.6mm)

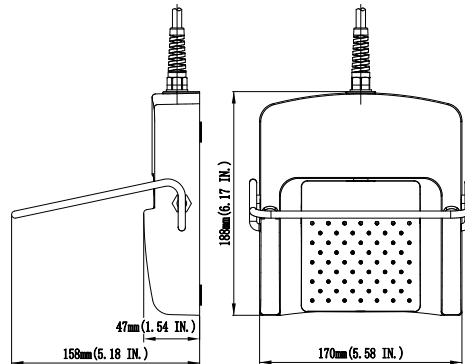


FS-21 Series Medical Foot Switches (IPX8)

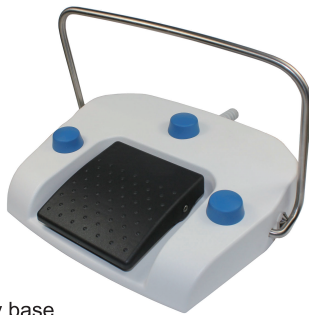
FS-21-10W-W-B2-2-20/4S (20AWGx4, shielded, 2 meters, 3x 1NO, cable diameter 7.0mm)
FS-21-10W-W-B2-2-22/5S (22AWGx5, shielded, 2 meters, 3x 1NO, cable diameter 5.6mm)



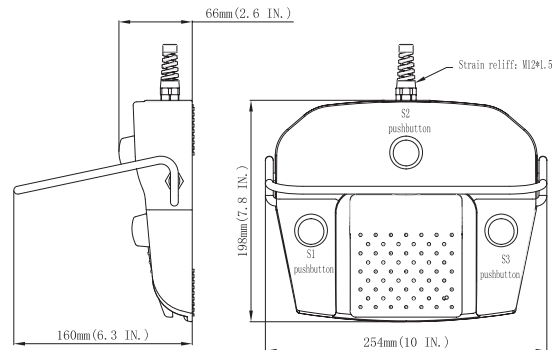
Unitary aluminium alloy base



FS-21-10W-T-W-B3-H-2-26/7 (26AWGx7, PUR, coiled, 2 meters, 5x 1NO, cable diameter 5.3mm)



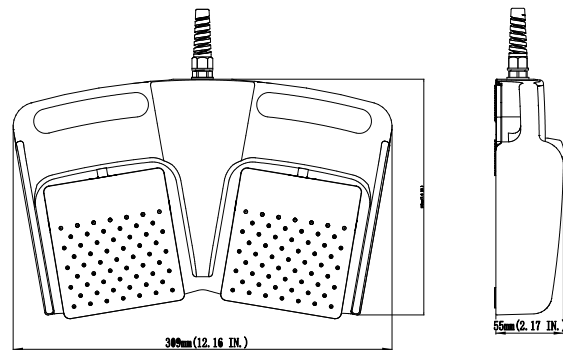
Unitary aluminium alloy base



FS-22-10W-W-2-20/4S (20AWGx4, shielded, 2 meters, 2x 1NO, cable diameter 7.0mm)
FS-22-10W-W-2-22/5S (22AWGx5, shielded, 2 meters, 2x 1NO, cable diameter 5.6mm)



Unitary aluminium alloy base



FS-23-10W-W-2-20/4S (20AWGx4, shielded, 2 meters, 3x 1NO, cable diameter 7.0mm)
FS-23-10W-W-B2-2-26/7 (26AWGx7, PUR, coiled, 2 meters, 5x 1NO, cable diameter 5.3mm)



Unitary aluminium alloy base

