

SN32(H) High Precision Compact Limit Switches (IP67 Water-Proof) SN32(H) SERIES (25mm) 4-CORE

Selection Guide:

SN32

12

Head Style

SP

A

A	Cable side exit
B	Cable bottom exit
C	M12 connector side exit 4 pin
C1	M12 connector side exit 4 pin
C2	M12 connector side exit 4 pin
D	M12 connector bottom exit 4 pin
D1	M12 connector bottom exit 4 pin
D2	M12 connector bottom exit 4 pin

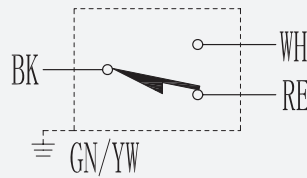
2

2 meter cable

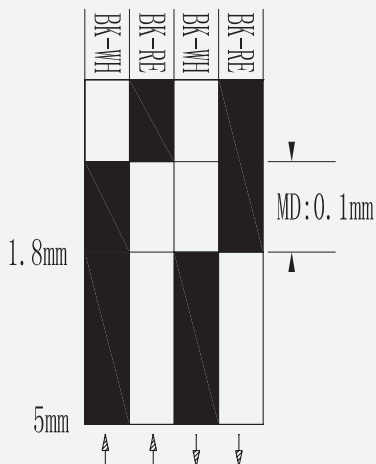
(H)

Specification

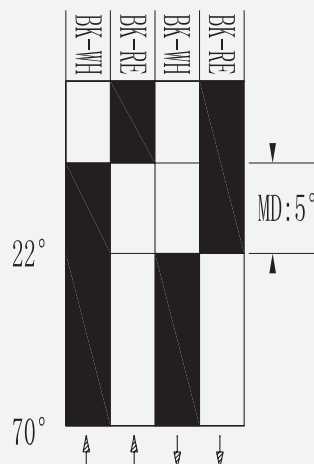
Operating Speed	0.05mm-2m/s
Operating Frequency	Mechanical: 120ops/min Electrical: 30 ops/min
Insulation Resistance	>100MΩ@500V DC
Contact Resistance	<25mΩ (initial value)
Rated Voltage	300V AC (EN60947-5-1)
Rated Thermal Current	10A
Electrical Rating	AC15 A300 DC13 Q300
Dielectric Strength	1000VAC for 1 min between current carrying parts 2500VAC for 1 min between non-current carrying parts
Service Life	Mechanically 1.0 x10 ⁷ (operations) Electrically 5 x10 ⁵ (operations)
Operating Temperature	-25~+85°C without formation of ice
Humidity	< 95%
Cable	4 core, SJT
Degree of Protection	IP67



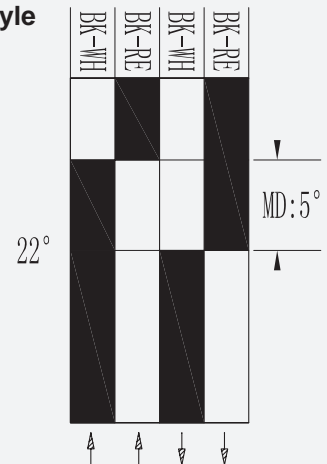
Plunger Style



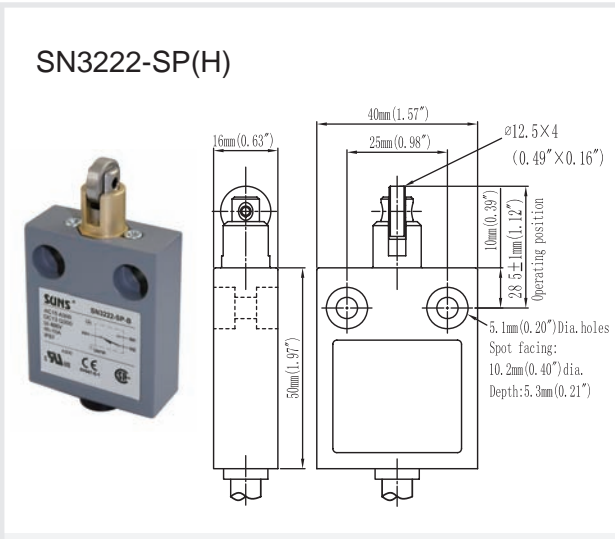
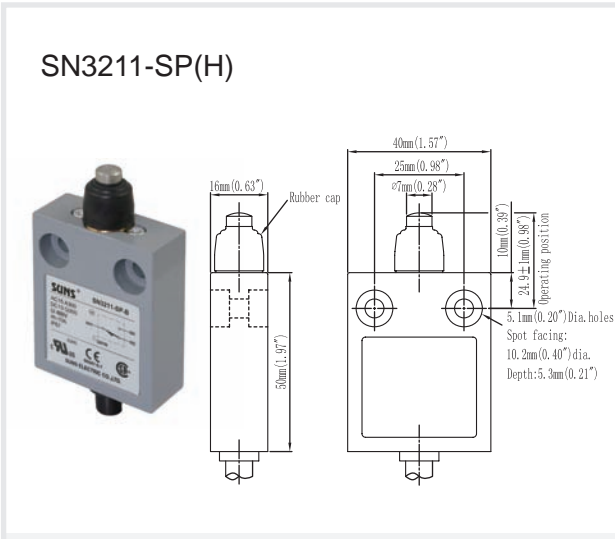
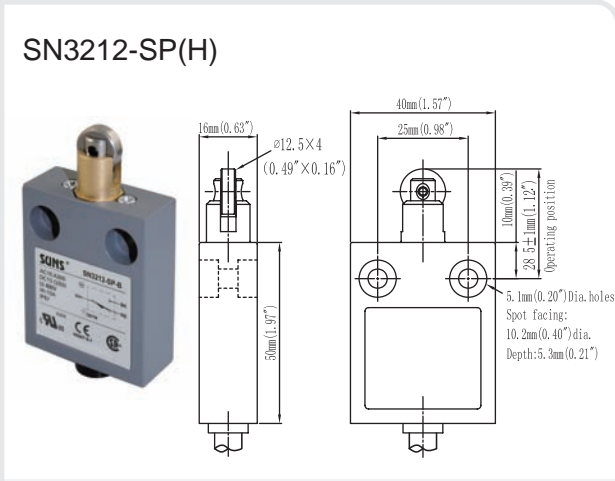
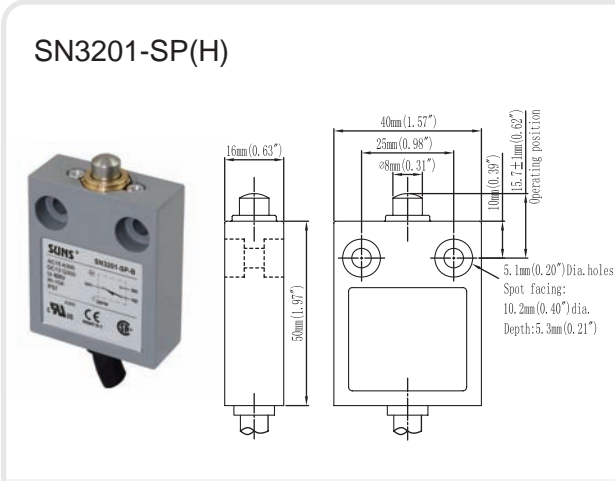
Rotary Style



Spring Coil Style

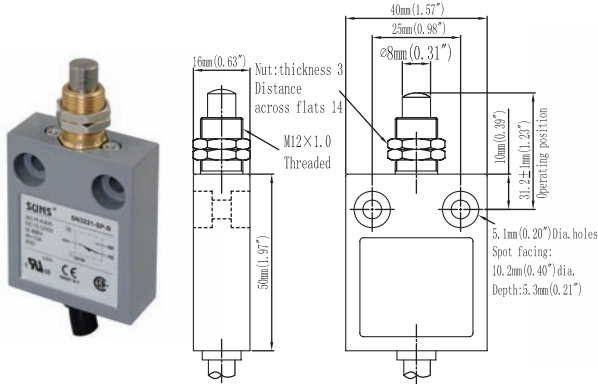


SN32(H) High Precision Compact Limit Switches (IP67 Water-Proof) SN32(H) SERIES (25mm) 4-CORE

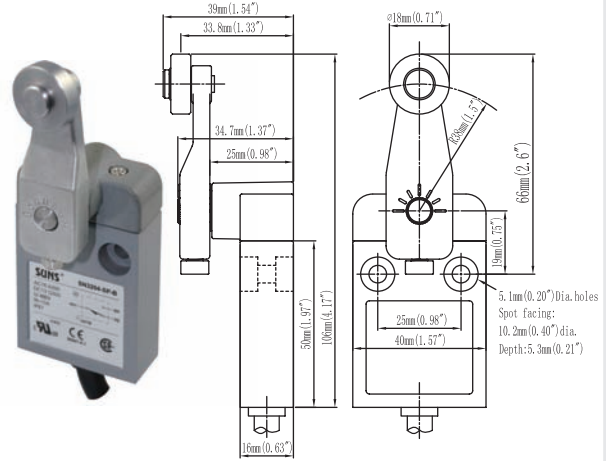


SN32(H) High Precision Compact Limit Switches (IP67 Water-Proof) SN32(H) SERIES (25mm) 4-CORE

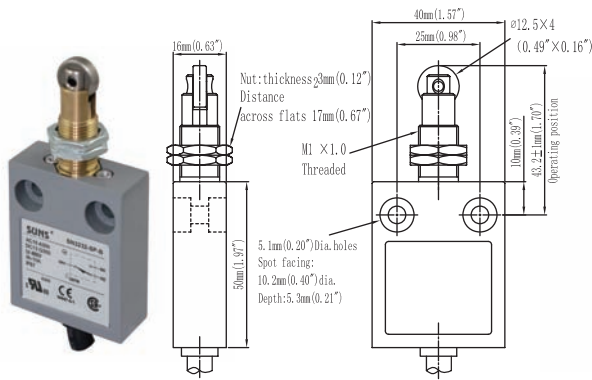
SN3221-SP(H)



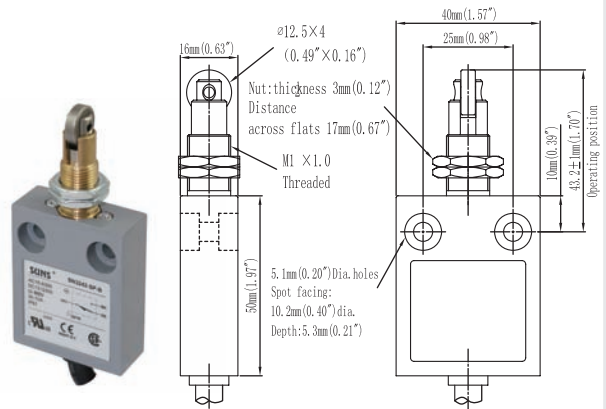
SN3204-SP(H)



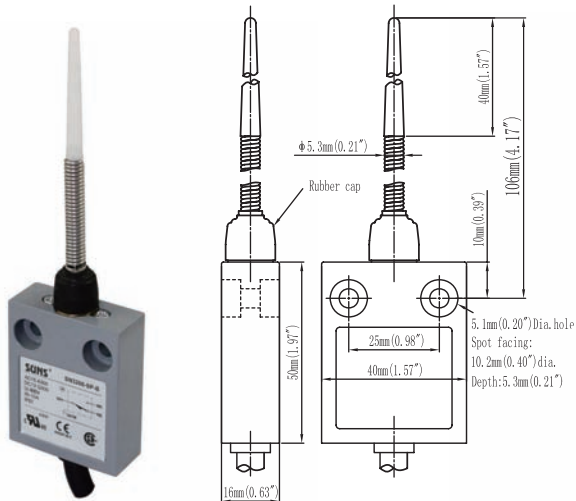
SN3232-SP(H)



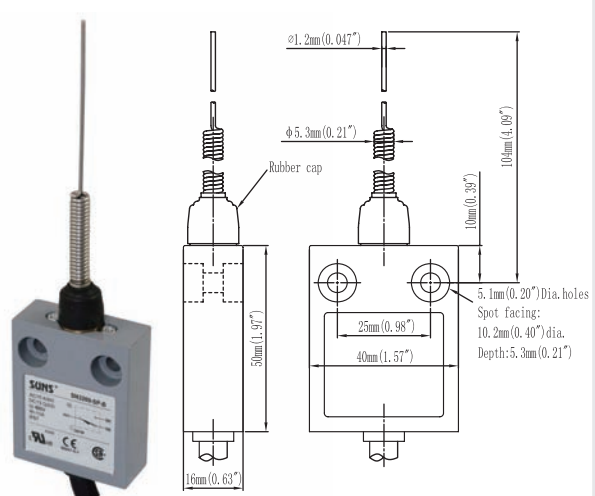
SN3242-SP(H)



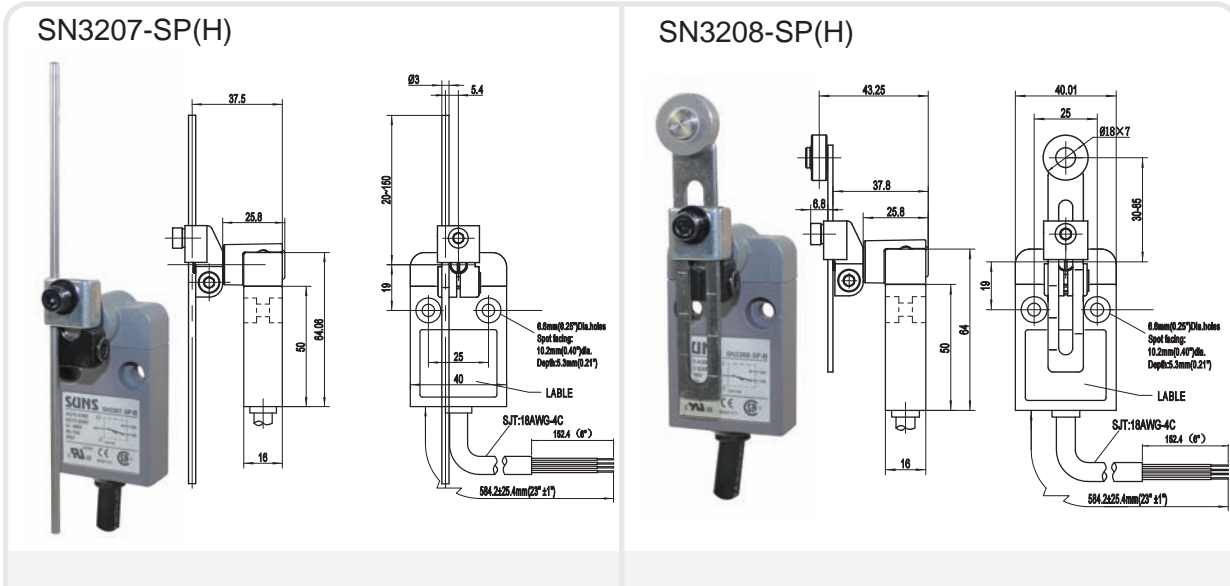
SN3266-SP(H)



SN3269-SP(H)



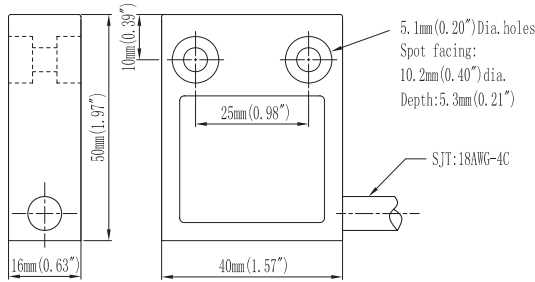
SN32(H) High Precision Compact Limit Switches (IP67 Water-Proof)
 SN32(H) SERIES (25mm) 4-CORE



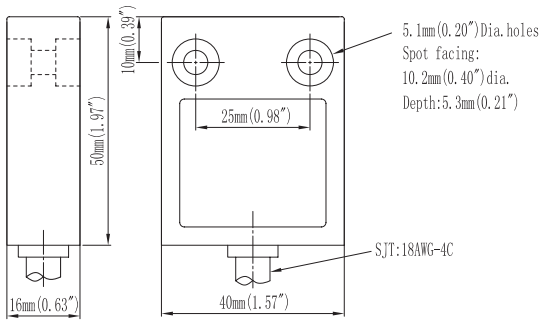
SN32(H) High Precision Compact Limit Switches (IP67 Water-Proof) SN32(H) SERIES (25mm) 4-CORE

Basic Body dimension:

Suffix: -A (cable side exit)



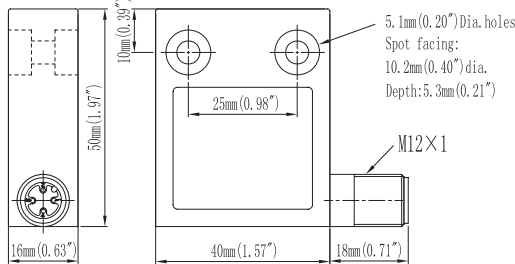
Suffix: -B (cable bottom exit)



Suffix: -C (M12 quick connector side exit 4 pin)

Suffix: -C1 (M12 quick connector side exit 4 pin)

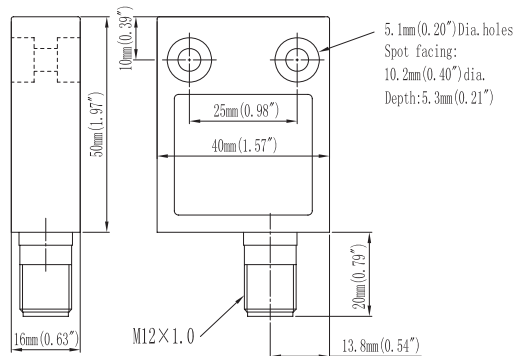
Suffix: -C2 (M12 quick connector side exit 4 pin)



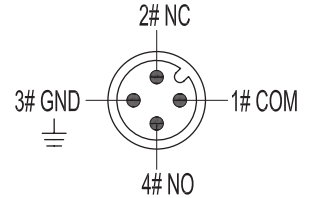
Suffix: -D (M12 Quick Connector bottom exit 4 pin)

Suffix: -D1 (M12 Quick Connector bottom exit 4 pin)

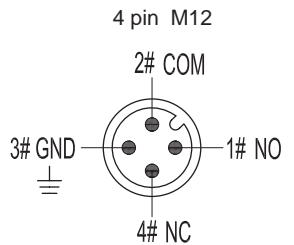
Suffix: -D2 (M12 Quick Connector bottom exit 4 pin)



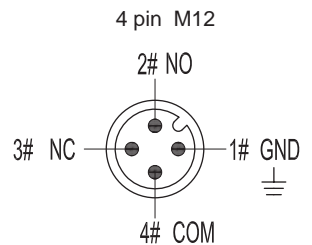
-C and -D



-C1 and -D1

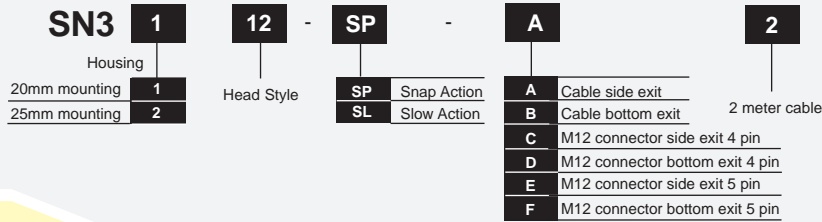


-C2 and -D2



COMPACT LIMIT SWITCHES (Metal Body, IP67 Water-Proof) SN31 SERIES (20mm) and SN32 SERIES (25mm)

Selection Guide:



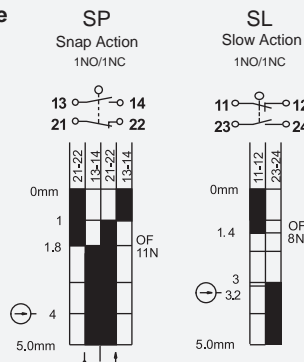
Specification

Operating Speed	0.05mm-2m/s
Operating Frequency	Mechanical: 120ops/min Electrical: 30 ops/min
Insulation Resistance	>100MΩ@500V DC
Contact Resistance	<25mΩ (initial value)
Rated Voltage	300V AC (EN60947-5-1)
Rated Thermal Current	10A
Electrical Rating	AC15 A300 DC13 Q300
Dielectric Strength	1000VAC for 1 min between current carrying parts 2500VAC for 1 min between non-current carrying parts
Service Life	Mechanically 1 x 10 ⁷ (operations) Electrically 5 x 10 ⁵ (operations)
Operating Temperature	-25~+85°C without formation of ice
Humidity	< 95%
Cable	5 core, 0.75mm ²
Degree of Protection	IP67

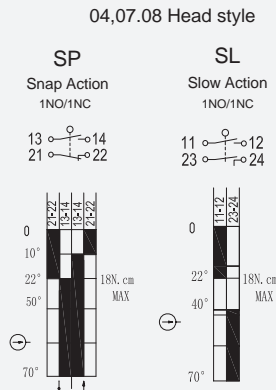
Electrical Ratings

IEC 60947-5-1 / EN 90947-5-1							
Designation & Utilization Category	Rated operational current I _e (A) at rated operational voltage U _e					VA rating	
	120V	240V	380V	480V	600V	Make	Break
AC15 A600	120V 6A	240V 3A	380V -	480V -	600V -	7200	720
DC13 Q300	125VDC 0.55	250VDC 0.27				69	69

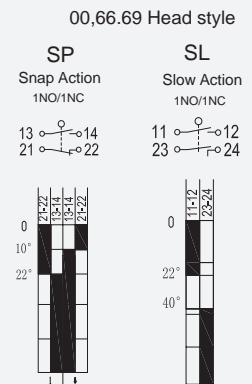
Plunger Style




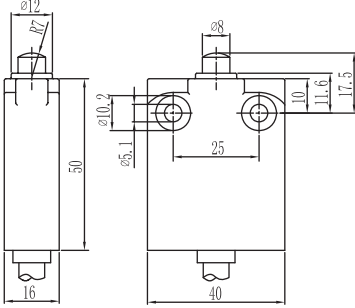

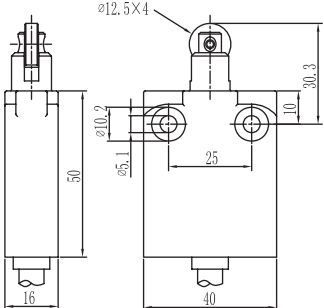





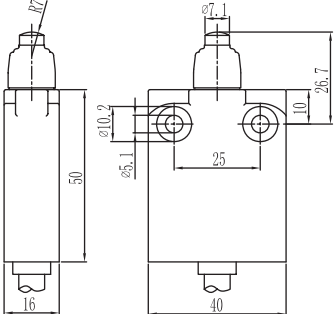

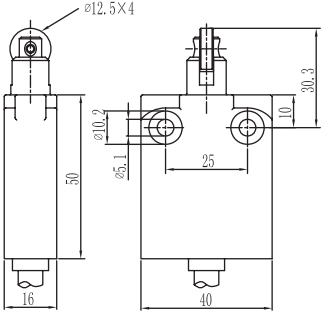





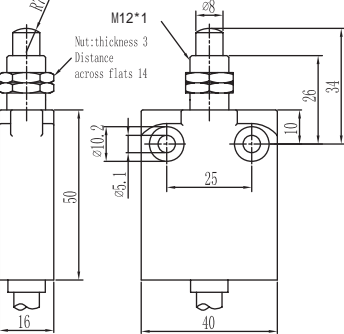

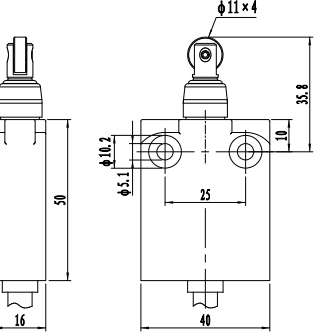

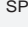



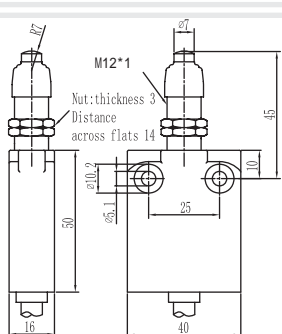

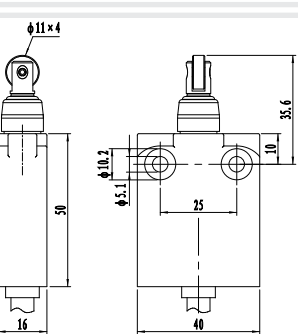




Rotary Style



Spring Coil Style



COMPACT LIMIT SWITCHES (Metal Body, IP67 Water-Proof) SN32 SERIES (25mm) 5-CORE

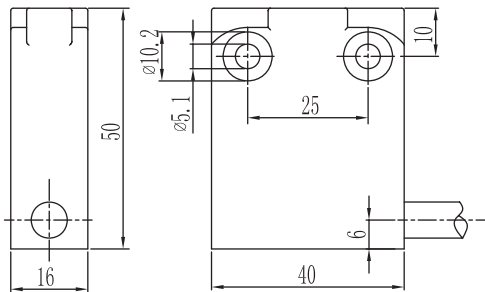
			
Order Code	Contact block	Order Code	Contact block
SN3201-SP	SP  snap action	SN3212-SP	SP  snap action
SN3201-SL	SL  slow action	SN3212-SL	SL  slow action
	1NO+1NC		1NO+1NC
	BBM		BBM
			
Order Code	Contact block	Order Code	Contact block
SN3211-SP	SP  snap action	SN3222-SP	SP  snap action
SN3211-SL	SL  slow action	SN3222-SL	SL  slow action
	1NO+1NC		1NO+1NC
	BBM		BBM
			
Order Code	Contact block	Order Code	Contact block
SN3221-SP	SP  snap action	SN3202-SP	SP  snap action
SN3221-SL	SL  slow action	SN3202-SL	SL  slow action
	1NO+1NC		1NO+1NC
	BBM		BBM
			
Order Code	Contact block	Order Code	Contact block
SN3231-SP	SP  snap action	SN3203-SP	SP  snap action
SN3231-SL	SL  slow action	SN3203-SL	SL  slow action
	1NO+1NC		1NO+1NC
	BBM		BBM

COMPACT LIMIT SWITCHES (Metal Body, IP67 Water-Proof)

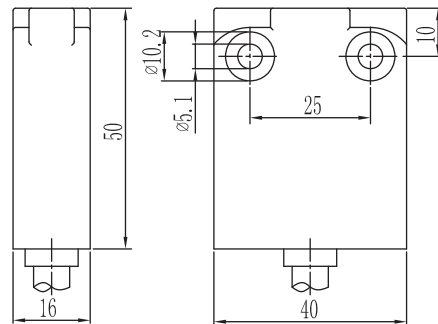
SN32 SERIES (25mm) 5-CORE

Basic Body dimension:

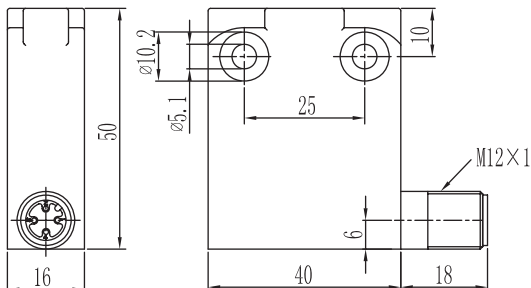
Suffix: -A (cable side exit)



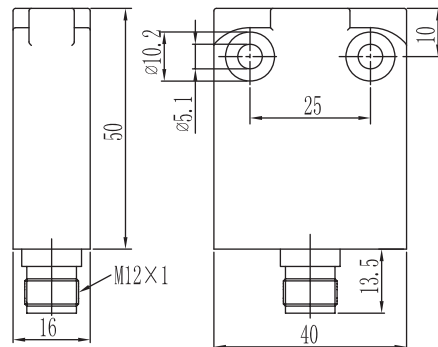
Suffix: -B (cable bottom exit)



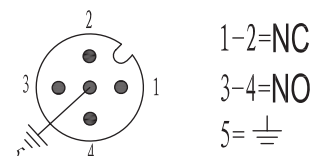
Suffix: -C or -C3 (M12 quick connector side exit 4 pin)
Suffix: -E (M12 quick connector side exit 5 pin)



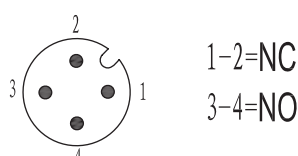
Suffix: -D or -D3 (M12 Quick Connector bottom exit 4 pin)
Suffix: -F (M12 Quick Connector bottom exit 5 pin)



-E -F: 5 pin M12



-C -D: 4 pin M12



-C3 -D3: 4 pin M12

