

FS-82-W Series Medical Foot Switches (IPX8)

Features

- Aluminum alloy die cast base
- Galvanically separated contacts (for -SP, -SL)
- Positive opening of NC contacts (for -SP, -SL)
- UL/CSA/CE/CCC certified
- IEC60601 certification issued by TÜV for medical applications
- Custom color/wiring available

Specifications

| | |
|-----------------------|--|
| Operating Frequency | 60 ops/min |
| Insulation Resistance | >100MΩ@500V DC |
| Contact Resistance | <25mΩ (initial) |
| Rated Current/Voltage | Ith: 10A Ui: 300V AC or 10A/15A 250VAC |
| Inrush Current | Complies with IEC947-5-1: AC15/DC13 |
| Dielectric Strength | 1000VAC for 1 min between current carrying parts 2500VAC for 1 min between non-current carrying parts |
| Service Life | 1 x10 ⁶ (operations) |
| Operating Temperature | -30~+80°C (-22~176°F) |
| Degree of Protection | IPX8(NEMA 4, 4X, 6, 6P) |

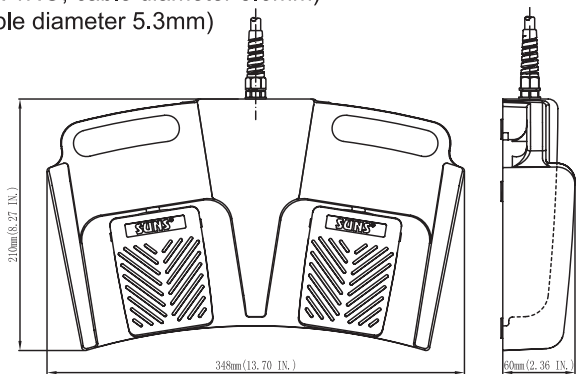
Selection Guide:

| | | | | | | | | | | | | | | | | |
|----------------------------|--|---|---|---|-------------------|---|---------------------------------|---|---------------------------------|---|--------------|---|-------------------------------|---|-----------------|-------------------|
| FS-82 - SP | | - | W | - | T | - | M | - | B1 | - | 8 | - | F | - | 20/4S | (S) |
| Switch Type | | | | | Contact Type | | Pedal Material | | Options | | Cable Length | | Additional Wiring Information | | | |
| SP: 10A snap action (IPx8) | | | | | Blank: SPDT | | Blank: Fiber reinforced plastic | | B: NO Button | | | | Blank: Meter(s) | | | Blank: Large base |
| SL: 10A slow action (IPx8) | | | | | T: DPDT (2NO/2NC) | | M: Die cast aluminum | | B1: Button in middle | | | | F: Foot/Feet | | (S): Small base | |
| | | | | | S: DPDT (2-stage) | | | | B2: 2 Buttons on left and right | | | | | | | |
| | | | | | | | | | B3: 3 Buttons | | | | | | | |

* Standard pedal color: Black

Dimensions:

- FS-82-SP-W-2-20/4S** (20AWGx4, shielded, 2 meters, 2x 1NO, cable diameter 7.0mm)
FS-82-SP-W-2-22/5S (22AWGx5, shielded, 2 meters, 2x 1NO, cable diameter 5.6mm)
FS-82-SP-W-B1-2-20/4S (20AWGx4, shielded, 2 meters, 3x 1NO, cable diameter 7.0mm)
FS-82-SP-W-B2-2-22/5S (22AWGx5, shielded, 2 meters, 4x 1NO, cable diameter 5.6mm)
FS-82-SP-W-B3-26/7 (26AWGx7, PUR, coiled, 5x 1NO, cable diameter 5.3mm)



- FS-82-SP-W-2-20/4S (S)** (20AWGx4, shielded, 2 meters, 2x 1NO, cable diameter 7.0mm)
FS-82-SP-W-2-22/5S (S) (22AWGx5, shielded, 2 meters, 2x 1NO, cable diameter 5.6mm)
FS-82-SP-W-B1-2-20/4S (S) (20AWGx4, shielded, 2 meters, 3x 1NO, cable diameter 7.0mm)
FS-82-SP-W-B2-2-22/5S (S) (22AWGx5, shielded, 2 meters, 4x 1NO, cable diameter 5.6mm)
FS-82-SP-W-B3-26/7 (S) (26AWGx7, PUR, coiled, 5x 1NO, cable diameter 5.3mm)

