

SAFETY SWITCHES FOR HINGES LIDS/GUARDS

Features

- Galvanically separated contacts
- Screw terminals with self-lifting clamps for easy wiring
- Positive Opening of NC contacts
- 4 x 90° actuator positions

Definitions of Operating Characteristics

- OF Operating Force
- RF Releasing Force
- OT Overtravel
- TT Total Travel
- PT Pretravel
- MD Movement Differential
- OP Operating Position
- PO Travel to Positive Opening



Specifications

Operating Speed	0.05mm-0.5m/s
Operating Frequency	Mechanical: 120ops/min Electrical: 30 ops/min
Insulation Resistance	>100MΩ@500V DC
Contact Resistance	<25mΩ (initial value)
Rated Current/Voltage	10A/600V AC (EN60947-5-1)
	AC15 A600 / DC13 Q300
Dielectric Strength	1000VAC for 1 min between current carrying parts 2500VAC for 1 min between non-current carrying parts
Service Life	Mechanically 1.0 x10 ⁷ (operations) Electrically 5 x10 ⁵ (operations)
Operating Temperature	-25~+80°C (-13~176°F)
Humidity	< 95%
Degree of Protection	IP67

Selection Guide

SND41
Body Style

82
Actuator

SL

- SL: BBM Slow action 1NO/1NC
- SL2: Slow action 2NO

A
Conduit

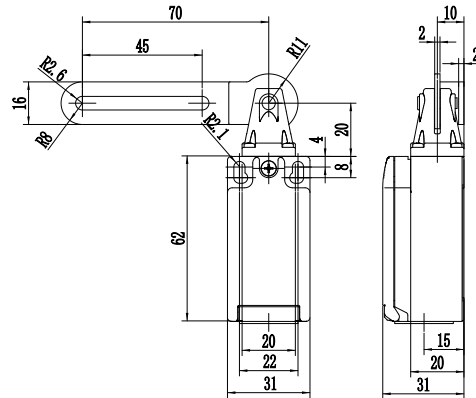
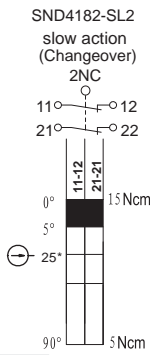
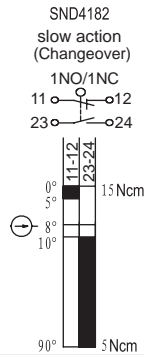
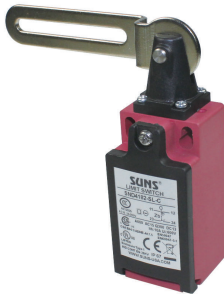
- A:1/2NPT
- B:PG13.5
- C:M20X1.5
- D:M16
- B1:PG11

S
Head orientation

- Blank: Head to left
- S: Head to top
- S1: Head to right
- X: Head to right (swing arm not adjustable)

PLASTIC-BODIED Safety Switch

SND4182

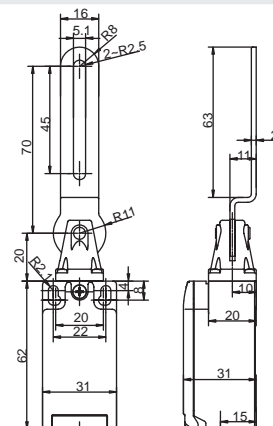
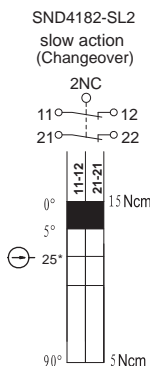
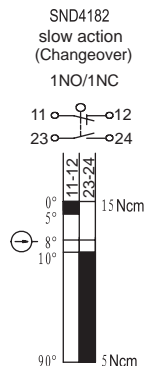


Order Code

Contact block

SND4182-SL SL slow action 1NO+1NC BBM

SND4182-S



Order Code

Contact block

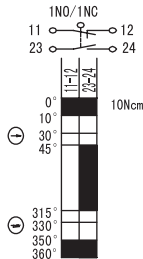
SND4182-SL-S SL slow action 1NO+1NC BBM

SAFETY SWITCHES FOR HINGES LIDS/GUARDS

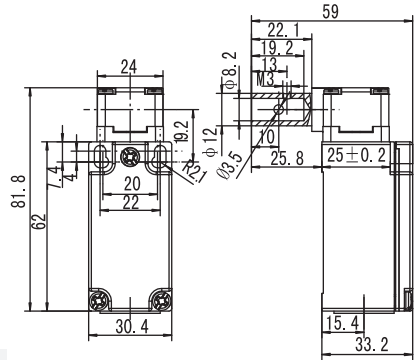
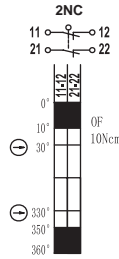
SN4181



SN4181-SL Slow Action (Changeover)



SN4181-SL2 Slow Action

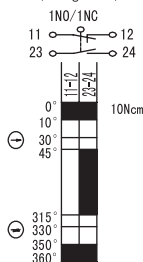


Order Code	Contact block		
SN4181-SL- _	SL	slow action	1NO+1NC BBM
SN4181-SL2- _	SL2	slow action	2NC

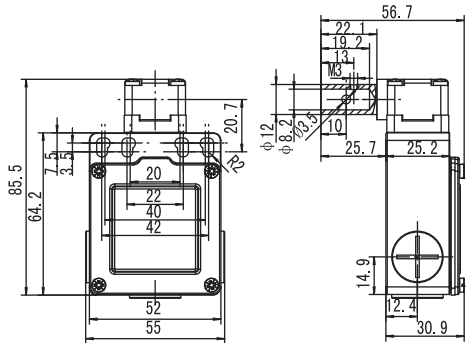
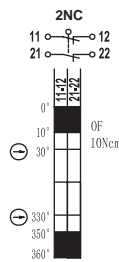
SN2181



SN2181-SL Slow Action (Changeover)

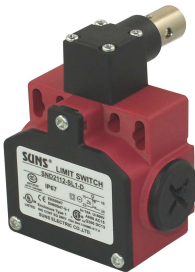


SN2181-SL2 Slow Action

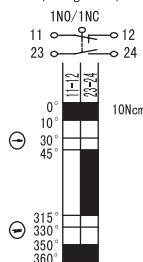


Order Code	Contact block		
SN2181-SL- _	SL	slow action	1NO+1NC BBM
SN2181-SL2- _	SL2	slow action	2NC

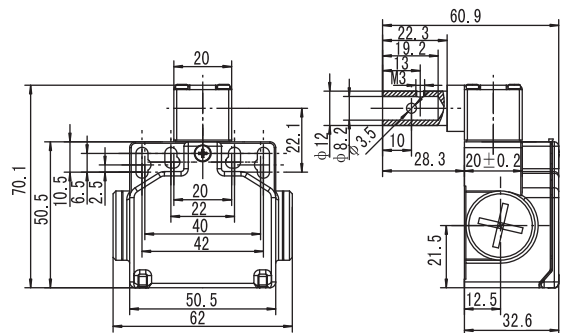
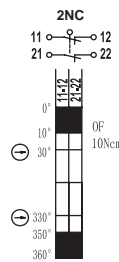
SND2181



SND2181-SL Slow Action (Changeover)



SND2181-SL2 Slow Action



Order Code	Contact block		
SND2181-SL_	SL	slow action	1NO+1NC BBM
SND2181-SL2_	SL2	slow action	2NC