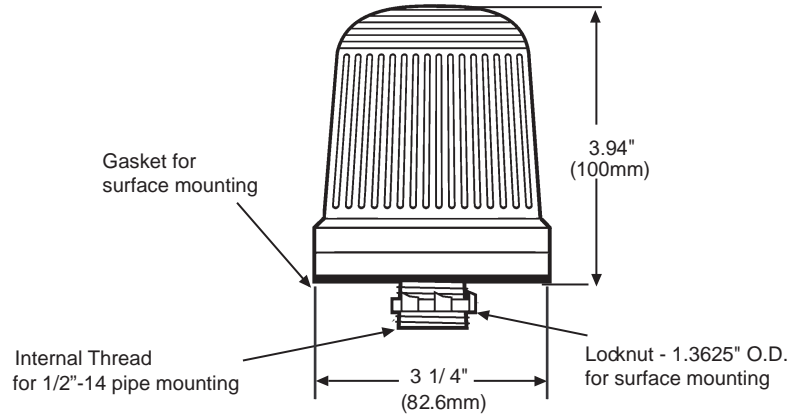


800 Series Visual Signals



			/ Bulb	Candlepower	Ratings
800-STA24	Amber	Strobe Lights	800-ST 1,500 hr*	175,000	24VDC 0.35 A
800-STB24	Blue				
800-STC24	Clear				
800-STG24	Green				
800-STR24	Red				
800-STA120	Amber	Strobe Lights	800-ST 1,500 hr*	175,000	120VAC50/60Hz 0.10A
800-STB120	Blue				
800-STC120	Clear				
800-STG120	Green				
800-STR120	Red				
801-ISA24	Amber	Incandescent Steady Lights	Industry Std. 1692 (15W)	-	24VDC 0.67A
801-ISB24	Blue				
801-ISC24	Clear				
801-ISG24	Green				
801-ISR24	Red				
801-ISA120	Amber	Incandescent Steady Lights	Industry Std. 15T7DC (15W)	-	120VAC50/60Hz 0.15 A
801-ISB120	Blue				
801-ISC120	Clear				
801-ISG120	Green				
801-ISR120	Red				
802-IFA24	Amber	Incandescent Flashing Lights	Industry Std. 1692 (15W)	-	24VDC 0.61 A
802-IFB24	Blue				
802-IFC24	Clear				
802-IFG24	Green				
802-IFR24	Red				
802-IFA120	Amber	Incandescent Flashing Lights	Industry Std. 15T7DC (15W)	-	120VAC50/60Hz 0.15 A
802-IFB120	Blue				
802-IFC120	Clear				
802-IFG120	Green				
802-IFR120	Red				
803-SM324	3-Color(RAG)	Flashing LED Lights	LED Unit	-	24VDC
803-TM324	3-Color(RAG)	Steady LED Lights	50,000 hr	-	<0.10 A

*Calculated strobe tube life operating power to 75% efficiency