

30mm Push Buttons & Operator Interface PBM30 chromium plated metal bezel PB30 plastic bezel

Features

- Available in die cast chrome plated (PBM30) and double insulated head (PB30)
- Wide variety of operators available
- Double break, slow action, self-clean contacts
- Positive opening of normal close contact
- Double insulated version can be used in corrosive environment
- Finger safe contact block
- Contact blocks are securely fasten to the connecting block by screw
- UL, cUL Listed (UL file number E216958)



Characteristics

Nominal thermal current	10 A conforming to IEC 60947-5-1, NF C 63-140, UL 508, CSA 22-2 No. 14, VDE 0660 part 2, NEMA / UL Type A600-Q600.
Nominal insulation voltage	500 V conforming to NF C 20-040, VDE 0110, IEC 60158-1, 600 V conforming to UL 508
Contact operation	Slow- make N.O. or slow-break N.C. with direct opening operation conforming to EN60947-5-1 section 3.
Contact resistance	<25mΩ (initial value)
Operating force	Flush or projecting push buttons - with 1 NO contact: 2.25 lb (10N) - with 1 NC contact: 1.8 lb (8N) Additional contacts - N.O.: add 1 lb(4.5N) - N.C.: add 0.7 lb(3.1N)
Short circuit protection	10 A cartridge fuses, GI or N conforming to IEC 60269-1 and VDE 0660-200.
Ambient temperature	Operating: -25 °C to +70 °C (-13 °F to +158 °F) Storage: -40 °C to +70 °C (-40 °F to +158 °F)
Resistance to vibration	60 mm diameter mushroom head: 8 g. Other push buttons: 15 g. Small joystick controllers: 5 g (from 40 to 50 Hz) Conforming to IEC 60068-2-6.
Resistance to shock	Push buttons: 70 g. Mushroom head push-buttons: 15 g. Selector switches: 200 g. Conforming to IEC 60068-2-27.
Protection against electric shock	Class 1, conforming to IEC 60536 and NF C 20-030.
Degree of protection conforming to IEC 60529	NEMA 1,2,3,3R,12,13,4,4X; IEC IP65
Mechanical life	Push buttons 3 million operations Latching mushroom head push buttons: 300,000 operations. Illuminated selector switches: 100,000 operations
Approvals	UL/cUL: push buttons and selector switches NEMA / UL Type A600-Q600; E216958 pilot lights and illuminated push buttons direct supply (250 V max.); pilot lights and illuminated push buttons with transformer (600 V)
Conformity to standards	UL 508, IEC 60947-5-1, EN60947-5-1, IEC 60337-1, IEC 60337-2, VDE 0660, CSA C 22-2

AC Rating, NEMA/UL A600

Volts	Inductive 35% Power factor				Continuous carrying Amperes	Resistive 75% Power factor Make, Break and continuous Amperes
	Make Amperes	VA	Break Amperes	VA		
120	60	7200	6	720	10	10
240	30	7200	3	720	10	10
480	15	7200	1.5	720	10	10
600	12	7200	1.2	720	10	10

DC Rating, NEMA/UL Q600 Inductive and resistive

Volts	Make and break	Continuous
125	0.55	2.5
250	0.27	2.5
600	0.10	2.5

30mm Push Buttons & Operator Interface

PBM30 chromium plated metal bezel
PB30 plastic bezel

PBM30	PB30	Description	Part Numbers	Contacts(1)
		Extended Guard Pushbutton	<ul style="list-style-type: none"> ○ PB(M)30-GP-W ● PB(M)30-GP-B ● PB(M)30-GP-G ● PB(M)30-GP-R ● PB(M)30-GP-Y ● PB(M)30-GP-U ● PB(M)30-GP-A 	Add suffix: P0: Without Contact P1: 1NO/1NC P2: 2NO/2NC P5: 1NO P6: 1NC P7: 2NO P8: 2NC
		Full Guard Pushbutton	<ul style="list-style-type: none"> ○ PB(M)30-FP-W ● PB(M)30-FP-B ● PB(M)30-FP-G ● PB(M)30-FP-R ● PB(M)30-FP-Y ● PB(M)30-FP-U ● PB(M)30-FP-A 	Add suffix: P0: Without Contact P1: 1NO/1NC P2: 2NO/2NC P5: 1NO P6: 1NC P7: 2NO P8: 2NC
		No Guard Pushbutton	<ul style="list-style-type: none"> ○ PB(M)30-EP-W ● PB(M)30-EP-B ● PB(M)30-EP-G ● PB(M)30-EP-R ● PB(M)30-EP-Y ● PB(M)30-EP-U ● PB(M)30-EP-A 	Add suffix: P0: Without Contact P1: 1NO/1NC P2: 2NO/2NC P5: 1NO P6: 1NC P7: 2NO P8: 2NC
		Mechanical Interlock Buttons (Maintained)	<ul style="list-style-type: none"> ●● PB(M)30-MIP-BR ●● PB(M)30-MIP-GR 	Add suffix: P0: Without Contact P1: 1NO/1NC P2: 2NO/2NC P5: 1NO P6: 1NC P7: 2NO P8: 2NC
		Mushroom-Head Pushbutton (40mm)	<ul style="list-style-type: none"> ○ PB(M)30-MP-W ● PB(M)30-MP-B ● PB(M)30-MP-G ● PB(M)30-MP-R ● PB(M)30-MP-Y ● PB(M)30-MP-U ● PB(M)30-MP-A 	Add suffix: P0: Without Contact P1: 1NO/1NC P2: 2NO/2NC P5: 1NO P6: 1NC P7: 2NO P8: 2NC
		Mushroom-Head Pushbutton (60mm)	<ul style="list-style-type: none"> ○ PB(M)30-MP6-W ● PB(M)30-MP6-B ● PB(M)30-MP6-G ● PB(M)30-MP6-R ● PB(M)30-MP6-Y ● PB(M)30-MP6-U ● PB(M)30-MP6-A 	Add suffix: P0: Without Contact P1: 1NO/1NC P2: 2NO/2NC P5: 1NO P6: 1NC P7: 2NO P8: 2NC

(1) Add the *P* number chosen from page 29 to the end of the operator type number.

30mm Push Buttons & Operator Interface

PBM30 chromium plated metal bezel
PB30 plastic bezel



PBM30	PB30	Description	Part Numbers	Contacts(1)																				
		Emergency Stop (Push-Pull) (40mm)	<ul style="list-style-type: none"> ○ PB(M)30-ES/E3S-W ● PB(M)30-ES/E3S-B ● PB(M)30-ES/E3S-G ● PB(M)30-ES/E3S-R ● PB(M)30-ES/E3S-Y ● PB(M)30-ES/E3S-U ● PB(M)30-ES/E3S-A <p>PB(M)30-ES- (2-position)</p> <p>PB(M)30-E3S- (3-position)</p>	Add suffix: P0: Without Contact P1: 1NO/1NC P2: 2NO/2NC P5: 1NO P6: 1NC P7: 2NO P8: 2NC																				
		Illuminated Emergency Stop (Push-Pull) (40mm) (LED)	<p>PB(M)30-ES- (2-position)</p> <p>PB(M)30-E3S- (3-position)</p> <p>Direct voltage suffix - Color suffix</p> <table border="0"> <tr> <td>D6E: 6 VAC/DC</td> <td>○ -W</td> </tr> <tr> <td>D12E: 12 VAC/DC</td> <td>● -G</td> </tr> <tr> <td>D24E: 24 VAC/DC</td> <td>● -R</td> </tr> <tr> <td>D120E: 120 VAC/DC</td> <td>● -Y</td> </tr> <tr> <td>D240E: 240VAC/DC</td> <td>● -U</td> </tr> <tr> <td>Transformer type suffix:</td> <td>● -A</td> </tr> <tr> <td>T120E: 120 V (in) 6V (out)</td> <td></td> </tr> <tr> <td>T240E: 240 V (in) 6V (out)</td> <td></td> </tr> <tr> <td>T380E: 380 V (in) 6V (out)</td> <td></td> </tr> <tr> <td>T600E: 600 V (in) 6V (out)</td> <td></td> </tr> </table>	D6E: 6 VAC/DC	○ -W	D12E: 12 VAC/DC	● -G	D24E: 24 VAC/DC	● -R	D120E: 120 VAC/DC	● -Y	D240E: 240VAC/DC	● -U	Transformer type suffix:	● -A	T120E: 120 V (in) 6V (out)		T240E: 240 V (in) 6V (out)		T380E: 380 V (in) 6V (out)		T600E: 600 V (in) 6V (out)		Add suffix: P0: Without Contact P1: 1NO/1NC P2: 2NO/2NC P5: 1NO P6: 1NC P7: 2NO P8: 2NC
D6E: 6 VAC/DC	○ -W																							
D12E: 12 VAC/DC	● -G																							
D24E: 24 VAC/DC	● -R																							
D120E: 120 VAC/DC	● -Y																							
D240E: 240VAC/DC	● -U																							
Transformer type suffix:	● -A																							
T120E: 120 V (in) 6V (out)																								
T240E: 240 V (in) 6V (out)																								
T380E: 380 V (in) 6V (out)																								
T600E: 600 V (in) 6V (out)																								
		Emergency Stop (Push-Pull) (60mm)	● PBM30-ES6-R-P_ (M)	Add suffix: P0: Without Contact P1: 1NO/1NC P2: 2NO/2NC P5: 1NO P6: 1NC P7: 2NO P8: 2NC																				
		Emergency Stop Break Glass Button	● PB(M)30-BG-Y	Add suffix: P0: Without Contact P1: 1NO/1NC P2: 2NO/2NC P5: 1NO P6: 1NC P7: 2NO P8: 2NC																				
		Joystick Controller	● 3-Position Horizontal / with Steel Knob / with Latch PBM30-JS3H-R / PBM30-JS3H-S / PBM30-JS3HL	Add suffix: P0: Without Contact P1: 1NO/1NC P2: 2NO/2NC P5: 1NO P6: 1NC P7: 2NO P8: 2NC																				
		Joystick Controller With Steel Knob	● 3-Position Vertical / with Steel Knob / with Latch PBM30-JS3V-R / PBM30-JS3V-S / PBM30-JS3VL																					
		Joystick Controller With Latch	● 5-Position / with Steel Knob / with Latch PBM30-JS5-R / PBM30-JS5-S / PBM30-JS5L																					
		Joystick Controller With Latch	● 3-Position Horizontal (Maintained) / with Steel Knob / with Latch PBM30-JS3H-M-R / PBM30-JS3H-M-S / PBM30-JS3HL-M																					
		Joystick Controller With Latch	● 3-Position Vertical (Maintained) / with Steel Knob / with Latch PBM30-JS3V-M-R / PBM30-JS3V-M-S / PBM30-JS3VL-M																					
		Joystick Controller With Latch	● 5-Position (Maintained) / with Steel Knob / with Latch PBM30-JS5-M-R / PBM30-JS5-M-S / PBM30-JS5L-M																					

(1) Add the *P* number chosen from page 14 to the end of the operator type number.

30mm Push Buttons & Operator Interface

PBM30 chromium plated metal bezel

PB30 plastic bezel

PBM30	PB30	Description	Part Numbers	Contacts(1)
		<p>Potentiometer</p>	<p>1K PB(M)30-VR-P0-1K 2.5k PB(M)30-VR-P0-2.5K 5K PB(M)30-VR-P0-5K 10K PB(M)30-VR-P0-10K 25K PB(M)30-VR-P0-25K</p>	

(1)Add the *P* number chosen from page 14 to the end of the operator type number.

30mm Push Buttons & Operator Interface

PBM30 chromium plated metal bezel
PB30 plastic bezel

PBM30	PB30	Description	Part Numbers	Contacts ⁽¹⁾	
		Pilot Light (LED)	PB(M)30-PL- Direct voltage suffix - D6E: 6 VAC/DC D12E: 12 VAC/DC D24E: 24 VAC/DC D120E: 120 VAC/DC ⁽²⁾ D240E: 240VAC/DC Transformer type suffix: T120E: 120 V (in) 6V (out) T240E: 240 V (in) 6V (out) T380E: 380 V (in) 6V (out) T600E: 600 V (in) 6V (out)	Color suffix ○ -W ● -G ● -R ● -Y ● -U ● -A	Add suffix: P0: Without Contact
		Push-To-Test Pilot Light (LED)	PB(M)30-PTL- Direct voltage suffix - D6E: 6 VAC/DC D12E: 12 VAC/DC D24E: 24 VAC/DC D120E: 120 VAC/DC ⁽²⁾ D240E: 240VAC/DC Transformer type suffix: T120E: 120 V (in) 6V (out) T240E: 240 V (in) 6V (out) T380E: 380 V (in) 6V (out) T600E: 600 V (in) 6V (out)	Color suffix ○ -W ● -G ● -R ● -Y ● -U ● -A	Add suffix: P1: 1NO/1NC
		Illuminated Pushbutton No Guard (LED)	PB(M)30-EP- Direct voltage suffix - D6E: 6 VAC/DC D12E: 12 VAC/DC D24E: 24 VAC/DC D120E: 120 VAC/DC ⁽²⁾ D240E: 240VAC/DC Transformer type suffix: T120E: 120 V (in) 6V (out) T240E: 240 V (in) 6V (out) T380E: 380 V (in) 6V (out) T600E: 600 V (in) 6V (out)	Color suffix ○ -W ● -G ● -R ● -Y ● -U ● -A	Add suffix: P0: Without Contact P1: 1NO/1NC P2: 2NO/2NC P5: 1NO P6: 1NC P7: 2NO P8: 2NC
		Illuminated Pushbutton Full Plastic Guard (LED)	PB(M)30-FP- Direct voltage suffix - D6E: 6 VAC/DC D12E: 12 VAC/DC D24E: 24 VAC/DC D120E: 120 VAC/DC ⁽²⁾ D240E: 240VAC/DC Transformer type suffix: T120E: 120 V (in) 6V (out) T240E: 240 V (in) 6V (out) T380E: 380 V (in) 6V (out) T600E: 600 V (in) 6V (out)	Color suffix ○ -W ● -G ● -R ● -Y ● -U ● -A	Add suffix: P0: Without Contact P1: 1NO/1NC P2: 2NO/2NC P5: 1NO P6: 1NC P7: 2NO P8: 2NC
		Illuminated Pushbutton Full Metal Guard (LED)	PBM30-GP- Direct voltage suffix - D6E: 6 VAC/DC D12E: 12 VAC/DC D24E: 24 VAC/DC D120E: 120 VAC/DC ⁽²⁾ D240E: 240VAC/DC Transformer type suffix: T120E: 120 V (in) 6V (out) T240E: 240 V (in) 6V (out) T380E: 380 V (in) 6V (out) T600E: 600 V (in) 6V (out)	Color suffix ○ -W ● -G ● -R ● -Y ● -U ● -A	Add suffix: P0: Without Contact P1: 1NO/1NC P2: 2NO/2NC P5: 1NO P6: 1NC P7: 2NO P8: 2NC
		Illuminated Pushbutton Mushroom (LED)	PB(M)30-MP- Direct voltage suffix - D6E: 6 VAC/DC D12E: 12 VAC/DC D24E: 24 VAC/DC D120E: 120 VAC/DC ⁽²⁾ D240E: 240VAC/DC Transformer type suffix: T120E: 120 V (in) 6V (out) T240E: 240 V (in) 6V (out) T380E: 380 V (in) 6V (out) T600E: 600 V (in) 6V (out)	Color suffix ○ -W ● -G ● -R ● -Y ● -U ● -A	Add suffix: P0: Without Contact P1: 1NO/1NC P2: 2NO/2NC P5: 1NO P6: 1NC P7: 2NO P8: 2NC

(1) Add the *P* number chosen from page 14 to the end of the operator type number.

(2) Add '-U' at the end of part number for universal voltage type: 12-130 V AC/DC (e.g. PBM30-PL-D120E-R-P0-U)

30mm Push Buttons & Operator Interface

PBM30 chromium plated metal bezel
PB30 plastic bezel



Selector Switches -- Non-Illuminated -- Complete Assemblies, Contact Blocks Included

Contact Mounted on Side	Contact Block Included	Contact Status 1=closed 0=open	Standard Black Handle	Long Black Handle
2 Position Stay put				
A	PBC30-10	0 1	PB(M)30-S2ME-BP5	PB(M)30-SL2ME-BP5
B	PBC30-10	0 1	PB(M)30-S2ME-BP36	PB(M)30-SL2ME-BP36
A	PBC30-11	1 0 0 1	PB(M)30-S2ME-BP1	PB(M)30-SL2ME-BP1
B	PBC30-11	1 0 0 1	PB(M)30-S2ME-BP13	PB(M)30-SL2ME-BP13
both sides	2*PBC30-11	1 0 0 1 1 0 0 1	PB(M)30-S2ME-BP2	PB(M)30-SL2ME-BP2
Spring return, right to left				
B	PBC30-11	0 1 1 0	PB(M)30-S2MLD-BP13	PB(M)30-SL2MLD-BP13
3 Position Stay put				
A	PBC30-11	1 0 0 0 0 1	PB(M)30-S3MC-BP1	PB(M)30-SL3MC-BP1
B	PBC30-11	1 0 0 0 0 1	PB(M)30-S3MC-BP13	PB(M)30-SL3MC-BP13
both sides	2*PBC30-11	1 0 0 0 0 1 1 0 0 0 0 1	PB(M)30-S3MC-BP2	PB(M)30-SL3MC-BP2
Stay put				
Side B	PBC30-01	1 0 0 0 1 0	PB(M)30-S3MF-BP28	PB(M)30-SL3MF-BP28
Side A	PBC30-11			
Side B	PBC30-11	1 0 0 0 1 0	PB(M)30-S3MF-BP89	PB(M)30-SL3MF-BP89
Side A	PBC30-01			
Spring return left to center				
B	PBC30-11	1 0 0 0 0 1	PB(M)30-S3MRC-BP13	PB(M)30-SL3MRC-BP13
both sides	2*PBC30-11	1 0 0 0 0 1 1 0 0 0 0 1	PB(M)30-S3MRC-BP2	PB(M)30-SL3MRC-BP2
Spring return, right and left to center				
B	PBC30-11	1 0 0 0 0 1	PB(M)30-S3C-BP13	PB(M)30-SL3C-BP13
both sides	2*PBC30-11	1 0 0 0 0 1 1 0 0 0 0 1	PB(M)30-S3C-BP2	PB(M)30-SL3C-BP2

30mm Push Buttons & Operator Interface

PBM30 chromium plated metal bezel
PB30 plastic bezel



Selector Switches -- Non-Illuminated -- Assemblies, Order Contact Blocks Separately

Contact Mounted on Side		Contact Block Options (order separately from page 28).	Contact Status 1=closed 0=open	Standard Black Handle	Long Black Handle	
2 Position Stay put						
	A or B	PBC30-11 	PBC30-01 		PB(M)30-S2ME-BP0	PB(M)30-SL2ME-BP0
			or PBC30-10 			
	A or B	PBC30-11 	PBC30-01 		PB(M)30-S2MD-BP0	PB(M)30-SL2MD-BP0
			or PBC30-10 			
Spring return, left to right						
	A or B	PBC30-11 	PBC30-01 		PB(M)30-S2MRE-BP0	PB(M)30-SL2MRE-BP0
			or PBC30-10 			
Spring return, right to left						
	A or B	PBC30-11 	PBC30-01 		PB(M)30-S2MLD-BP0	PB(M)30-SL2MLD-BP0
			or PBC30-10 			
3 Position Stay put						
	B	PBC30-11 	PBC30-01 		PB(M)30-S3MB-BP0	PB(M)30-SL3MB-BP0
			or PBC30-10 			
	A	PBC30-11 	PBC30-01 			
		or PBC30-10 				
	A or B	PBC30-11 	PBC30-01 		PB(M)30-S3MC-BP0	PB(M)30-SL3MC-BP0
			or PBC30-10 			
	A or B	PBC30-11 	PBC30-01 		PB(M)30-S3MD-BP0	PB(M)30-SL3MD-BP0
			or PBC30-10 			
Stay put						
	B	PBC30-11 	PBC30-01 		PB(M)30-S3MF-BP0	PB(M)30-SL3MF-BP0
			or PBC30-10 			
	A	PBC30-11 	PBC30-01 			
		or PBC30-10 				
	B	PBC30-11 	PBC30-01 		PB(M)30-S3MJ-BP0	PB(M)30-SL3MJ-BP0
			or PBC30-10 			
	A	PBC30-11 	PBC30-01 			
		or PBC30-10 				

30mm Push Buttons & Operator Interface

PBM30 chromium plated metal bezel
PB30 plastic bezel



Selector Switches -- Non-Illuminated -- Assemblies, Order Contact Blocks Separately

Contact Mounted on Side		Contact Block Options (order separately from page 28).	Contact Status 1=closed 0=open	Standard Black Handle	Long Black Handle	
3 Position(continued) Stay put						
	B	PBC30 -11 	PBC30 - 01 		PB(M)30-S3MA-BP0	PB(M)30-SL3MA-BP0
	A	PBC30 -11 	PBC30 - 01 			
Spring return left to center						
	A or B	PBC30 -11 	PBC30 - 01 		PB(M)30-S3MRC-BP0	PB(M)30-SL3MRC-BP0
			PBC30 -10 			
	A or B	PBC30 -11 	PBC30 - 01 		PB(M)30-S3MRD-BP0	PB(M)30-SL3MRD-BP0
			PBC30 -10 			
Spring return right to center						
	B	PBC30 -11 	PBC30 - 01 		PB(M)30-S3MLB-BP0	PB(M)30-SL3MLB-BP0
	A	PBC30 -11 	PBC30 - 01 			
	A or B	PBC30 -11 	PBC30 - 01 		PB(M)30-S3MLC-BP0	PB(M)30-SL3MLC-BP0
			PBC30 -10 			
Spring return*right and left to center						
	B	PBC30 -11 	PBC30 - 01 		PB(M)30-S3B-BP0	PB(M)30-SL3B-BP0
	A	PBC30 -11 	PBC30 - 01 			
	A or B	PBC30 -11 	PBC30 - 01 		PB(M)30-S3C-BP0	PB(M)30-SL3C-BP0
			PBC30 -10 			
4 Position Stay put						
	B	PBC30 -11 	PBC30 - 01 		PB(M)30-S4MH-BP0	PB(M)30-SL4MH-BP0
	A	PBC30 -11 	PBC30 - 01 			
			PBC30 -10 			

30mm Push Buttons & Operator Interface

PBM30 chromium plated metal bezel
PB30 plastic bezel



Selector Switches - Illuminated Assemblies - Super Bright LED Included, Order Contact Blocks Separately

For Contact Mounted on Side	Contact Block Options (order separately from page 28).	Contact Status 1=closed 0=open	Voltage	Super Bright LED Clolor	Long Handle (except where noted)	Long Handle
2 Position Stay put						
A or B	PBC30 -11 or PBC30 -10	PBC30 -01 1 0 0 1			PB(M)30-S2ME-■-▲P0	PB(M)30-SL2ME-■-▲P0
A or B	PBC30 -11 or PBC30 -10	PBC30 -01 0 1 1 0			PB(M)30-S2MD-■-▲P0	PB(M)30-SL2MD-■-▲P0
Spring return, right to left						
A or B	PBC30 -11 or PBC30 -10	PBC30 -01 0 1 1 0			PB(M)30-S2MLD-■-▲P0	PB(M)30-SL2MLD-■-▲P0
3 Position Stay put						
A or B	PBC30 -11 or PBC30 -10	PBC30 -01 1 0 0 0 0 1			PB(M)30-S3MC-■-▲P0	PB(M)30-SL3MC-■-▲P0
Stay put						
B	PBC30 -11 or PBC30 -10	PBC30 -01 1 0 0 0 0 1				
A	PBC30 -11 or PBC30 -10	PBC30 -01 0 1 0 0 0 1			PB(M)30-S3MF-■-▲P0	PB(M)30-SL3MF-■-▲P0
Spring return left to center						
A or B	PBC30 -11 or PBC30 -10	PBC30 -01 1 0 0 0 0 1			PB(M)30-S3MRC-■-▲P0	PB(M)30-SL3MRC-■-▲P0
Spring return right to center						
A or B	PBC30 -11 or PBC30 -10	PBC30 -01 1 0 0 0 0 1			PB(M)30-S3MLC-■-▲P0	PB(M)30-SL3MLC-■-▲P0
Spring return, right and left to center						
A or B	PBC30 -11 or PBC30 -10	PBC30 -01 1 0 0 0 0 1			PB(M)30-S3C-■-▲P0	PB(M)30-SL3C-■-▲P0
4 Position Stay put						
B	PBC30 -11 or PBC30 -10	PBC30 -01 1 0 0 0 0 0 1 0			PB(M)30-S4MH-■-▲P0	PB(M)30-SL4MH-■-▲P0
A	PBC30 -11 or PBC30 -10	PBC30 -01 0 0 0 1 0 1 0 0				

Direct voltage suffix -
 D6E: 6 VAC/DC
 D12E: 12 VAC/DC
 D24E: 24 VAC/DC
 D120E: 120 VAC/DC
 D240E: 240VAC/DC
 Transformer type suffix:
 T120E: 120 V (in) 6V (out)
 T240E: 240 V (in) 6V (out)
 T380E: 380 V (in) 6V (out)
 T600E: 600 V (in) 6V (out)

Color suffix
 -W
 -G
 -R
 -Y
 -U
 -A

30mm Push Buttons & Operator Interface

PBM30 chromium plated metal bezel
PB30 plastic bezel



Selector Switches -- Key Operated -- Complete Assemblies, Contact Blocks Included

	Contact Mounted on Side	Contact Block Included	Contact Status 1 = closed 0 = open	Key
2 Position				
Stay put, key withdraw left				
	B	PBC30-10	 1 0 0 1	PBM30-SK2MEL-P36
	B	PBC30-11	 1 0 0 1	PBM30-SK2MEL-P13
Stay put, key withdraw left and right				
	B	PBC30-11	 1 0 0 1	PBM30-SK2ME-P13
3 Position				
Stay put, key withdraw center				
	both sides	2*PBC30-11	 1 0 0 0 0 1 1 0 0 0 0 1	PBM30-SK3MCC-P2
Spring return right & left to center, key withdraw center				
	both sides	2*PBC30-11	 1 0 0 0 0 1 1 0 0 0 0 1	PBM30-SK3CC-P2

30mm Push Buttons & Operator Interface

PBM30 chromium plated metal bezel
PB30 plastic bezel



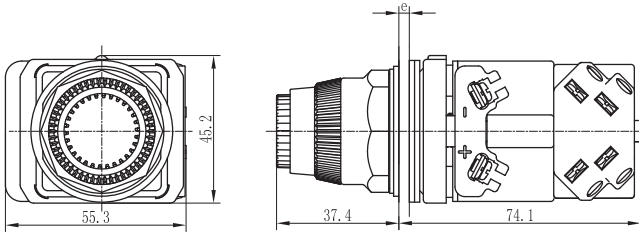
Selector Switches -- Key Operated -- Order Contact Blocks Separately

For Contact Mounted on Side		Contact Block Options (order separately from page 28).	Contact Status 1 = closed 0 = open	Key																
2 Position																				
Stay put, key withdraw left																				
	A or B	PBC30-11 or PBC30-01	<table border="0"> <tr> <td></td> <td>↖</td> <td>↑</td> <td>↗</td> </tr> <tr> <td></td> <td>1</td> <td>0</td> <td></td> </tr> <tr> <td></td> <td>↖</td> <td>↑</td> <td>↗</td> </tr> <tr> <td></td> <td>0</td> <td>1</td> <td></td> </tr> </table>		↖	↑	↗		1	0			↖	↑	↗		0	1		PBM30-SK2MEL-P0
	↖	↑	↗																	
	1	0																		
	↖	↑	↗																	
	0	1																		
Stay put, key withdraw right																				
	A or B	PBC30-11 or PBC30-01	<table border="0"> <tr> <td></td> <td>↖</td> <td>↑</td> <td>↗</td> </tr> <tr> <td></td> <td>1</td> <td>0</td> <td></td> </tr> <tr> <td></td> <td>↖</td> <td>↑</td> <td>↗</td> </tr> <tr> <td></td> <td>0</td> <td>1</td> <td></td> </tr> </table>		↖	↑	↗		1	0			↖	↑	↗		0	1		PBM30-SK2MER-P0
	↖	↑	↗																	
	1	0																		
	↖	↑	↗																	
	0	1																		
Stay put, key withdraw left & right																				
	A or B	PBC30-11 or PBC30-01	<table border="0"> <tr> <td></td> <td>↖</td> <td>↑</td> <td>↗</td> </tr> <tr> <td></td> <td>1</td> <td>0</td> <td></td> </tr> <tr> <td></td> <td>↖</td> <td>↑</td> <td>↗</td> </tr> <tr> <td></td> <td>0</td> <td>1</td> <td></td> </tr> </table>		↖	↑	↗		1	0			↖	↑	↗		0	1		PBM30-SK2ME-P0
	↖	↑	↗																	
	1	0																		
	↖	↑	↗																	
	0	1																		
Spring return, right to left, key withdraw right																				
	A or B	PBC30-11 or PBC30-01	<table border="0"> <tr> <td></td> <td>↖</td> <td>↑</td> <td>↗</td> </tr> <tr> <td></td> <td>0</td> <td>1</td> <td></td> </tr> <tr> <td></td> <td>↖</td> <td>↑</td> <td>↗</td> </tr> <tr> <td></td> <td>1</td> <td>0</td> <td></td> </tr> </table>		↖	↑	↗		0	1			↖	↑	↗		1	0		PBM30-SK2MLDR-P0
	↖	↑	↗																	
	0	1																		
	↖	↑	↗																	
	1	0																		
3 Position																				
Stay put, key withdraw left, center, right																				
	A or B	PBC30-11 or PBC30-01	<table border="0"> <tr> <td></td> <td>↖</td> <td>↑</td> <td>↗</td> </tr> <tr> <td></td> <td>1</td> <td>0</td> <td>0</td> </tr> <tr> <td></td> <td>↖</td> <td>↑</td> <td>↗</td> </tr> <tr> <td></td> <td>0</td> <td>0</td> <td>1</td> </tr> </table>		↖	↑	↗		1	0	0		↖	↑	↗		0	0	1	PBM30-SK3MC-P0
	↖	↑	↗																	
	1	0	0																	
	↖	↑	↗																	
	0	0	1																	
Stay put, key withdraw center																				
	A or B	PBC30-11 or PBC30-01	<table border="0"> <tr> <td></td> <td>↖</td> <td>↑</td> <td>↗</td> </tr> <tr> <td></td> <td>1</td> <td>0</td> <td>0</td> </tr> <tr> <td></td> <td>↖</td> <td>↑</td> <td>↗</td> </tr> <tr> <td></td> <td>0</td> <td>0</td> <td>1</td> </tr> </table>		↖	↑	↗		1	0	0		↖	↑	↗		0	0	1	PBM30-SK3MCC-P0
	↖	↑	↗																	
	1	0	0																	
	↖	↑	↗																	
	0	0	1																	
Spring return, right and left to center, key withdraw center																				
	A or B	PBC30-11 or PBC30-01	<table border="0"> <tr> <td></td> <td>↖</td> <td>↑</td> <td>↗</td> </tr> <tr> <td></td> <td>1</td> <td>0</td> <td>0</td> </tr> <tr> <td></td> <td>↖</td> <td>↑</td> <td>↗</td> </tr> <tr> <td></td> <td>0</td> <td>0</td> <td>1</td> </tr> </table>		↖	↑	↗		1	0	0		↖	↑	↗		0	0	1	PBM30-SK3CC-P0
	↖	↑	↗																	
	1	0	0																	
	↖	↑	↗																	
	0	0	1																	

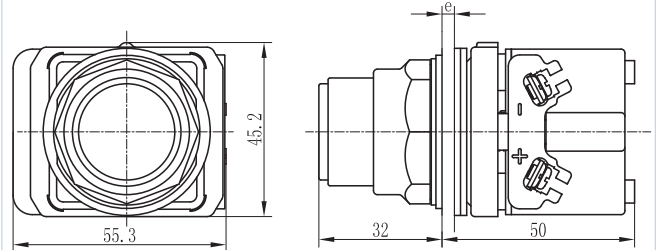
30mm Push Buttons & Operator Interface - PBM30

Illuminated

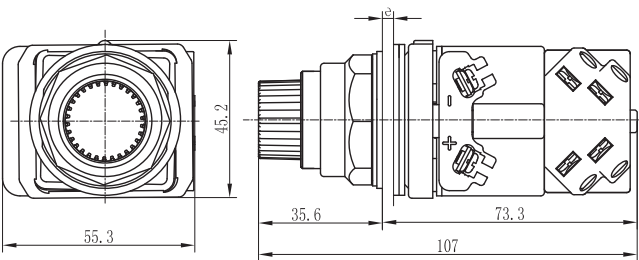
PB(M)30-FP



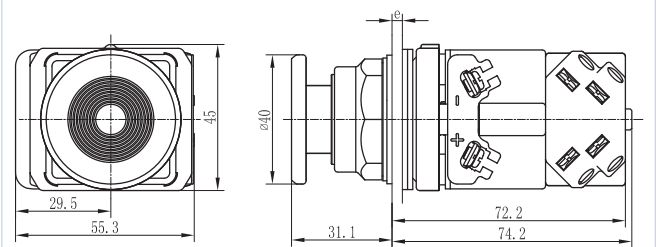
PB(M)30-PL



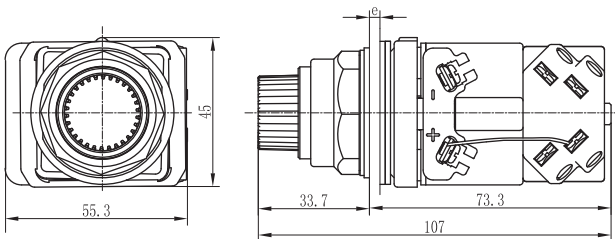
PB(M)30-EP



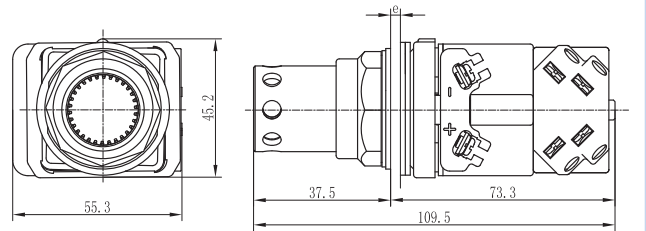
PB(M)30-MP



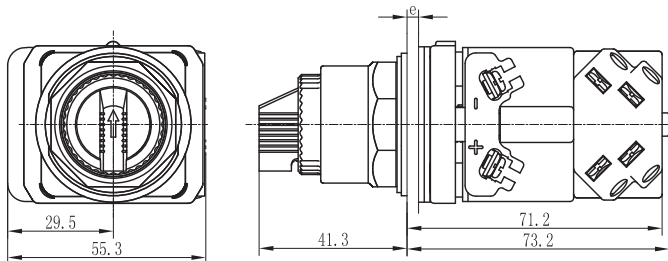
PB(M)30-PTL



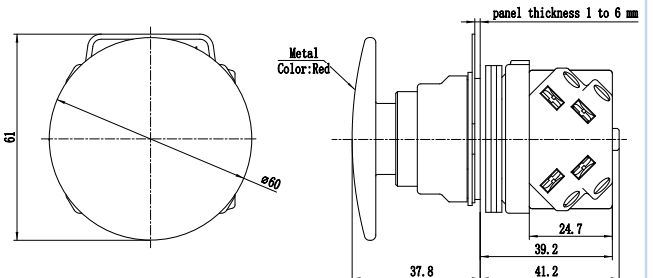
PBM30-GP



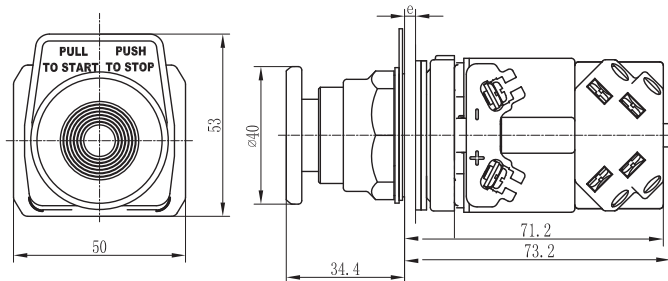
PB(M)30-SL



PBM30-ES6



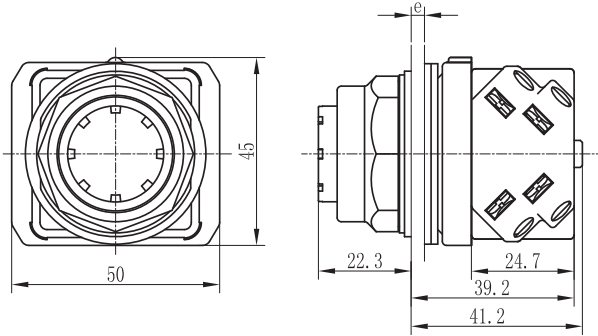
PB(M)30-ES



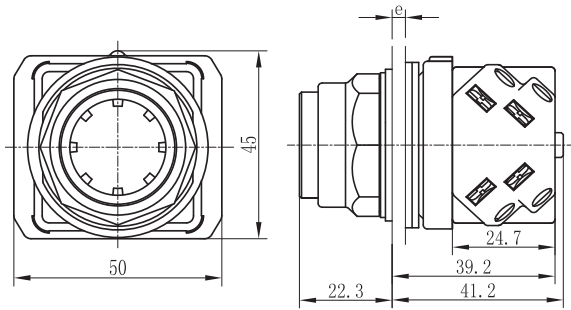
30mm Push Buttons & Operator Interface - PBM30

Non-illuminated

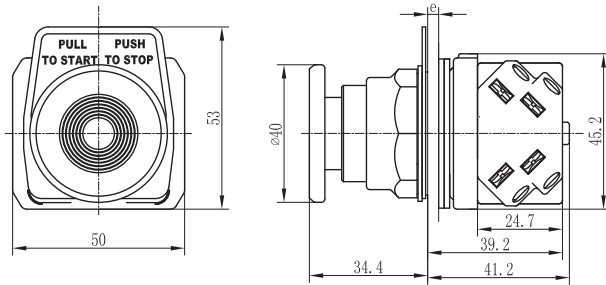
PB(M)30-EP



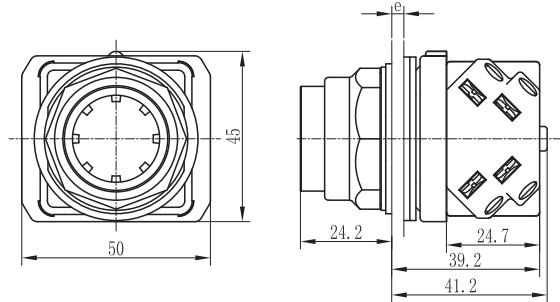
PB(M)30-FP



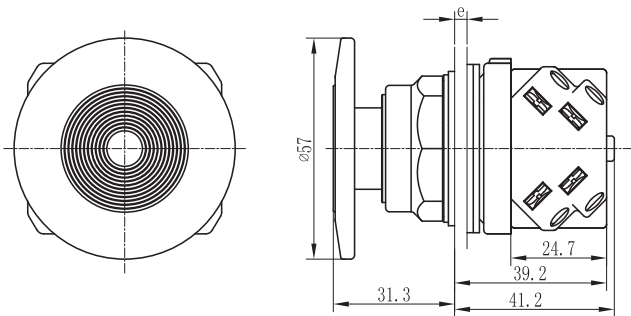
PB(M)30-ES



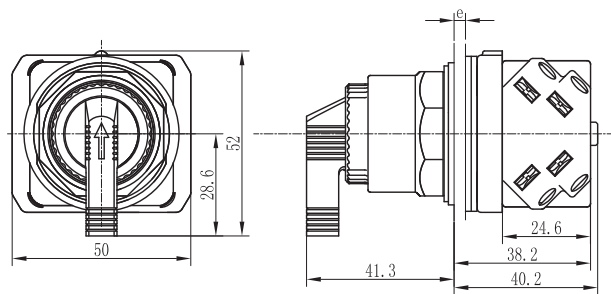
PB(M)30-GP



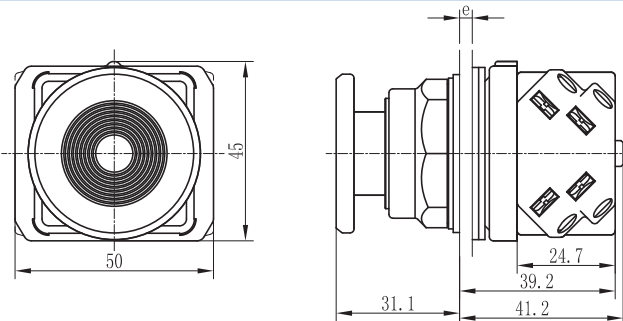
PB(M)30-MP6



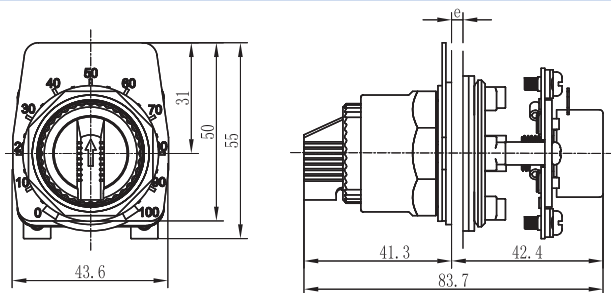
PB(M)30-SL



PB(M)30-MP



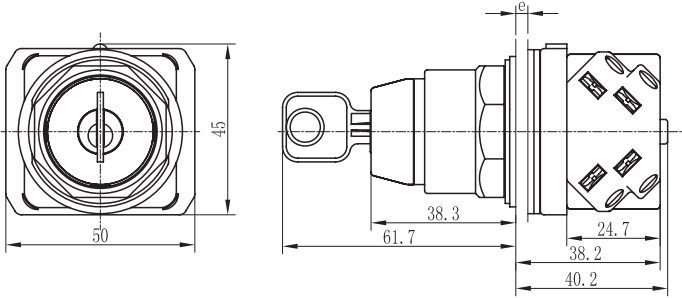
PB(M)30-VR



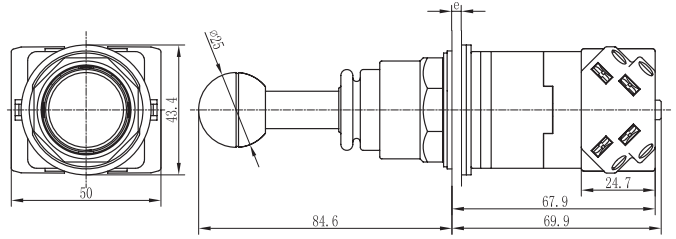
30mm Push Buttons & Operator Interface - PBM30

Non-illuminated

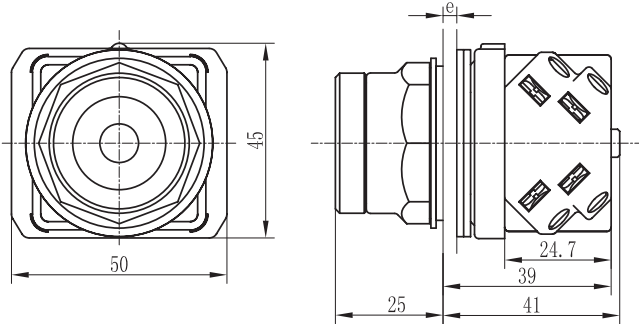
PBM30-SK



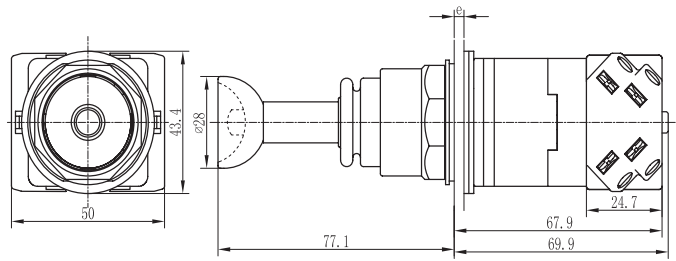
PBM30-JS



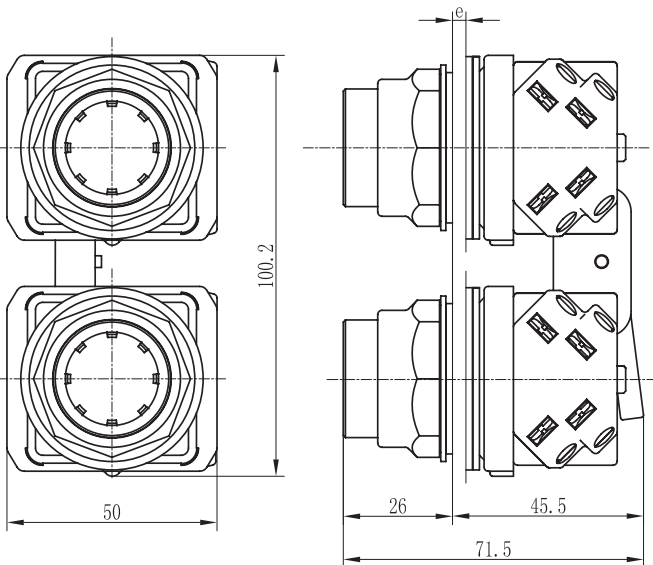
PBM30-BG



PBM30-JS_L



PB(M)30-MIP



30mm Push Buttons & Operator Interface

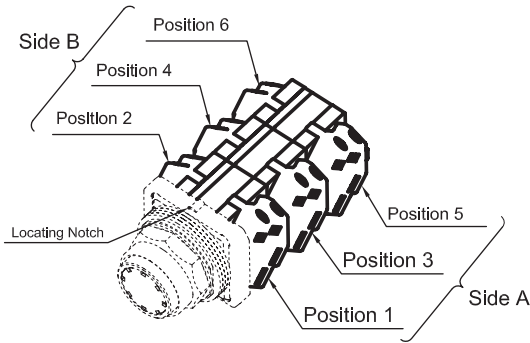
PBM30 chromium plated metal bezel
PB30 plastic bezel

The design of the PB(M)30 contact blocks allows them to be mounted side by side and/or in tandem.

The system illustrated below has been set up to enable an operator and a particular arrangement of contact blocks to be specified by a single type number. Operators and contact blocks will be shipped completely assembled.

Maximum Contact Block Usage

- 2 blocks mounted side by side only: Any 2, 3 or 4 position spring return selector switch (non-illuminated, illuminated or keyed).
- 2 blocks mounted in tandem on one side only: Any 2 operator interlocked push button.
- 2 blocks mounted in tandem (total of four blocks): Any selector push button, keyed push button, 2, 3, or 4 position maintained selector switch (non-illuminated, illuminated or keyed), push pull operators (non-illuminated or illuminated), joy stick, dual push button.
- 3 blocks mounted in tandem (total of six blocks): Single momentary push buttons (non-illuminated or illuminated).



NO=PBC30-10
NC=PBC30-01
CO=PBC30-11

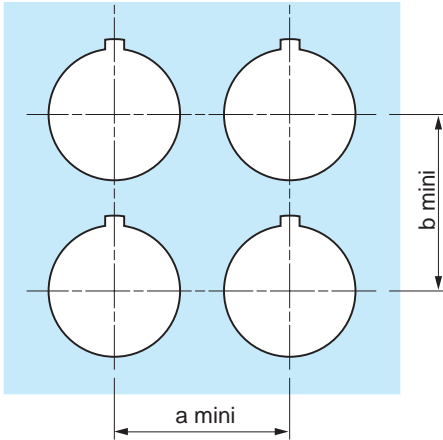
Suffix No.	Position					
	1	2	3	4	5	6
P1	CO					
P2	CO	CO				
P3	CO	CO	CO			
P4	CO	CO	CO	CO		
P5	NO					
P6	NC					
P7	NO	NO				
P8	NC	NC				
P11	CO	CO		CO		
P12	NO	NC	NO	NC		
P13		CO				
P14		NC				
P15	NO	NC	NO			
P16	NO	NC		NC		
P17	CO	CO	NO			
P18	NC	CO	NC		NC	
P19	CO	CO	CO	CO	CO	
P21	NO	NC				
P23	CO	CO	CO	CO	CO	CO
P24	CO	NO				
P27	NC	NC	NC			

Suffix No.	Position					
	1	2	3	4	5	6
P28	CO	NC				
P31	NO	NO	CO			
P32		CO		CO		
P33	CO	NC	NC			
P36		NO				
P37	NC	NO				
P38	NC	NO	NC	NO		
P41	NC	NO		NO		
P42	CO	CO	NO	NO		
P43	NO	NO	NO			
P44	NC	NO		NC		
P45	CO	NO	NC	NO		
P46	NO	NO		NO		
P52	NC	CO	NC			
P55	CO	NO	NO		CO	
P56	NO	NO	NO	NO		
P59	CO	NO	CO			
P60	CO	NO	CO		NC	
P62	CO	NO	NC			
P63	CO		NC			
P64	NC	NO	NO			
P66	NC	CO	NC	CO		
P71	NC	NC	NC	NC		
P73	CO	CO	NC			
P75	CO	NC	NC	NC	NC	
P76	CO	NO	NO	NO	NO	
P77	CO		CO			
P81	CO	CO	NO	NC		
P86	NC	NO	NC			
P87	NC	NO	NC	NO	NC	
P89	NC	CO				
P90	CO	CO	NC	NC	NC	
P91	CO	NO	CO	NO		
P92	CO	NO	NC	NO	NC	
P94	CO	CO	CO	NC	NC	NC
P95	NO	CO				
P97	CO	NC		NO		
P98	CO	CO	CO	NO		NO
P99	NO	NO	NO	NO	NO	
P100	CO	NC	CO	NO		
P101	NO	NO	NO	NO	NO	NO
P102	CO	NC		NC		
P103	CO	CO	NC	NC		
P104	CO	CO	CO	NO	NO	NO
P109	NC	NC	NO			
P110	NC	NC	NC	NC	NC	NC
P116	NC	CO	NC	NO		
P117	NO	NC	CO	NO	NO	
P124		NC		NC		
P129	NO		NO			
P130	NO	NC		NO		
P131	NO		NC		NO	
P132	NO	NO	NC	NC		
P133	NC		NO			
P134	NC	NC	NO	NO		
P135	NC	NO	NO	NO		
P138	NC	NC		NO		
P152	CO	NO		NO		
P156	CO	CO	CO	CO	NO	NO
P157	CO		CO		NO	
P158	CO	NO	NC	NC		
P159	CO	CO	NC	NO		
P174	CO	NC	CO	NC		

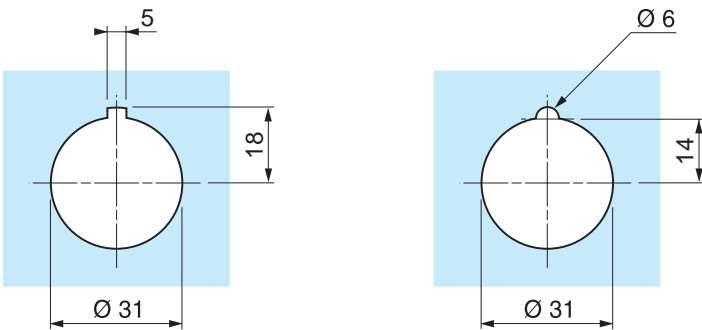
Control and Signaling Units $\varnothing 30$

Dimensions (continued)

Panel cut-out



Individual cut-outs details 2 alternatives



	a	b
All units except 57 mushroom head pushbuttons	57.2	44.5
	57.2	50.8
57 mushroom head pushbutton	57.2	57.2
	57.2	57.2