

## CSB Series Pendant Stations

### Features

- Safety yellow high impact fiber reinforced plastic body
- NEMA 4X watertight for indoor and outdoor applications
- Ambient temperature range: -20 to 158F (-29 to 70C)
- UL and cUL listed capabilities
- Choice of single-speed, two-speed, or on-off
- Electrical rating: A600/P600

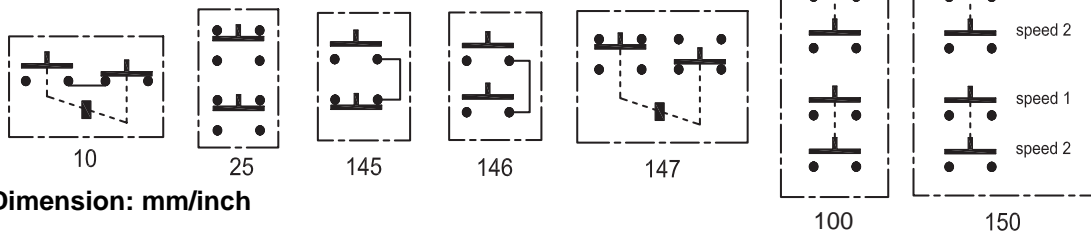


Description	Legend Insert Markings	Mechanical Interlock	Enclosure Color			Contact Symbol
			Yellow	Black	Red	
Single Speed	Up-Down	Yes	CSB272Y	CSB272B	CSB272R	146
	Forward-Reverse	Yes	CSB273Y	CSB273B	CSB273R	146
	On-Off <sup>[1]</sup>	Yes	CSB274Y	CSB274B	CSB274R	10
	Start-Stop	No	CSB275Y	CSB275B	CSB275R	145
	Start-Stop <sup>[1]</sup>	Yes	CSB276Y	CSB276B	CSB276R	10
	On-Off	No	CSB277Y	CSB277B	CSB277R	146
	Without Inserts	Yes	CSB293Y	CSB293B	CSB293R	146
	Without Inserts	Yes	CSB270Y	CSB270B	CSB270R	25
	Without Inserts <sup>[1]</sup>	Yes	CSB279Y	CSB279B	CSB279R	147
Single Speed (2NO)	Without Inserts	Yes	CSB290Y	CSB290B	CSB290R	100
	Up-Down	Yes	CSB292Y	CSB292B	CSB292R	100
Two Speed	Without Inserts	Yes	CSB280Y	CSB280B	CSB280R	150
	Up-Down	Yes	CSB282Y	CSB282B	CSB282R	150

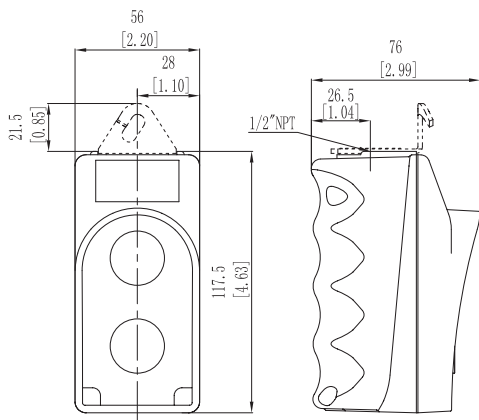
<sup>[1]</sup> Maintained Contact

\* Add -A suffix to include a strain Relief

### Contact Symbols



### Dimension: mm/inch



### Hanger Bracket and Seal Kit:

Order code: CSB-HG

