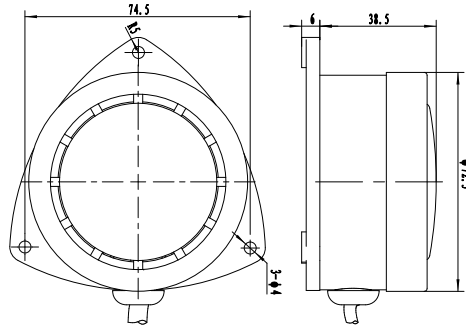


Buzzer

Dimensions

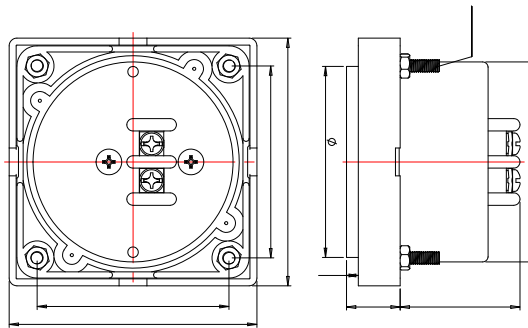
CBZ-10*



Rating
Mountings Style
Volume(dB)
Weight

DC 12V, 24V; AC 120V 240V 380V
Surface Mounting
75 ± 5dB(120V) 85 ± 5dB(240V)
160g

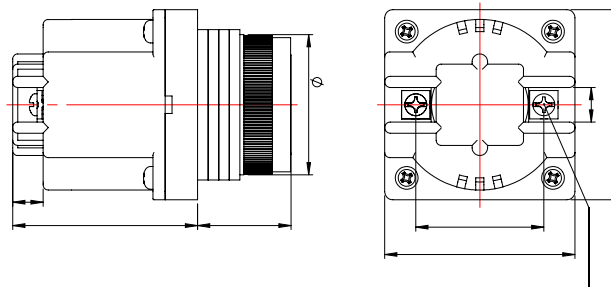
CBZ-20*



Rating
Mountings Style
Volume(dB)
Weight

DC 12V 24V; AC 120V 240V 380V
Flush Mounting
75 ± 5dB(120V) 85 ± 5dB(240V)
190g

CBZ-30*



Rating
Mountings Style
Volume(dB)
Weight

DC 12V 24V, AC 120V 240V
Flush Mounting
75 - 85dB(120V / 240V)
125g

* Add suffix (-12, -24, -120, -240) for different voltage