

FSC-6 Series Push-on/Push-off Foot Switches

Features

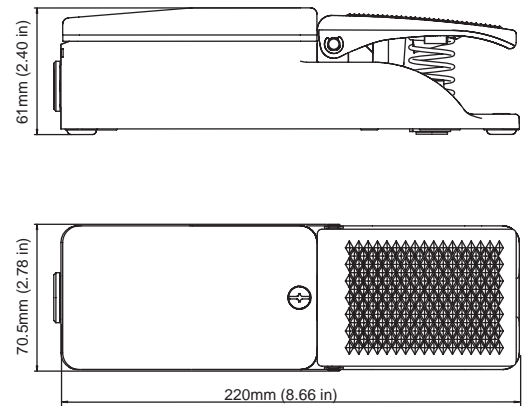
- Robust aluminum alloy die cast body
- Three special styles:
 - High current carrying capacity
 - AC variable speed control
 - Push-on/push-off
- CSA approval
- Threaded hole available in: PG13.5, M20x1.5 and 1/2NPT

Specifications

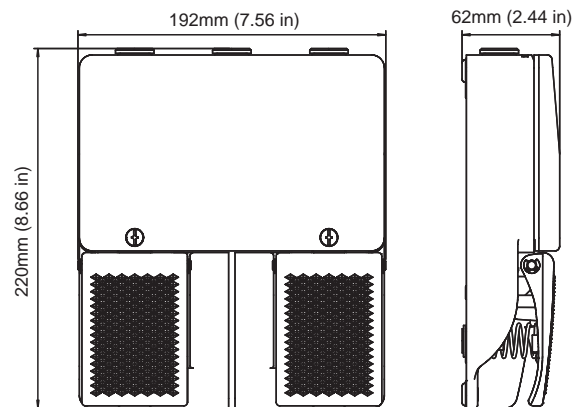
Operating Frequency	60 ops/min
Insulation Resistance	>100MΩ@500V DC
Contact Resistance	<25mΩ (initial)
Rated Current/Voltage	8A/125VAC 4A/250VAC
Inrush Current	Complies with IEC947-5-1: AC15/DC13
Dielectric Strength	1000VAC for 1 min between current carrying parts 2500VAC for 1 min between non-current carrying parts
Service Life	Mechanically 1 x 10 ⁶ (operations) Electrically 5 x 10 ⁵ (operations)
Operating Temperature	-30~+80°C (-22~176°F)
Degree of Protection	IP65, NEMA type 2, 4, 13 (IP68, NEMA type 6, 6P available on request)

Dimensions:

FSC-61-08D



FSC-62-08D



AC Variable Speed Control Foot Switches

Features

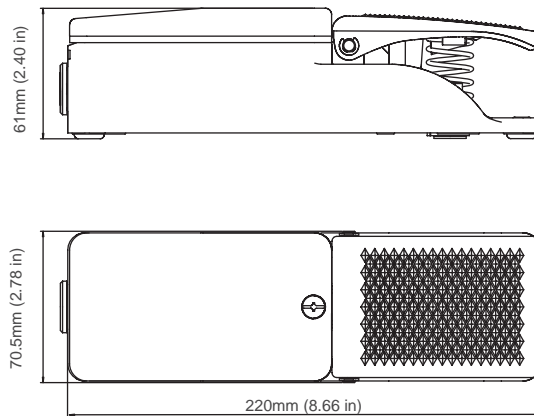
- Hands free, variable speed motor control
- Supplied with series plug
- UL/CSA and CE approved

Specifications

Operating Frequency	60 ops/min
Insulation Resistance	>100MΩ@500V DC
Contact Resistance	<25mΩ (initial)
Rated Current/Voltage	10A/125V AC
Dielectric Strength	1000VAC for 1 min between current carrying parts 2500VAC for 1 min between non-current carrying parts
Service Life	Mechanically 1 x 10 ⁶ (operations) Electrically 5 x 10 ⁵ (operations)
Operating Temperature	-30~+80°C (-22~176°F)
Degree of Protection	IP65/NEMA 2,4,13

Dimensions:

FSC-61-10V-A-8F-18/3P
(Prewired 8ft with serial plug)



FSC-6 Series Heavy Duty Foot Switches

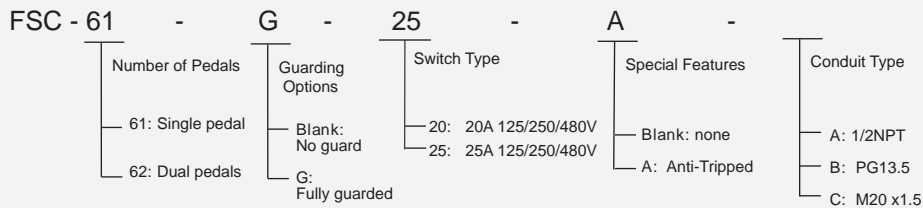
Features

- Robust aluminum alloy die cast body
- High current carrying capacity
- UL/ULC approval(E321073)
- Threaded hole available in:
PG13.5, M20x1.5 and 1/2NPT

Specifications

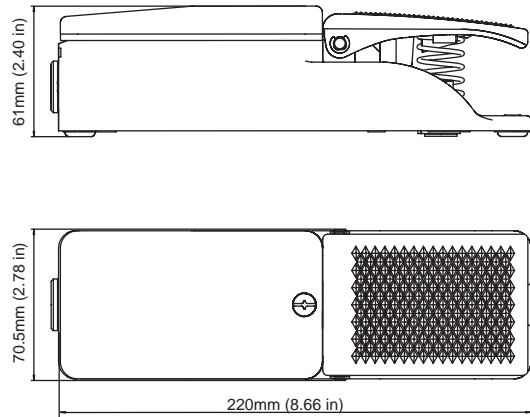
Operating Frequency	60 ops/min
Insulation Resistance	>100MΩ@500V DC
Contact Resistance	<25mΩ (initial)
Rated Current/Voltage	20A or 25A 1.5HP/125VAC 2HP/250VAC
Inrush Current	Complies with IEC947-5-1: AC15/DC13
Dielectric Strength	1000VAC for 1 min between current carrying parts 2500VAC for 1 min between non-current carrying parts
Service Life	Mechanically 1 x10 ⁶ (operations) Electrically 5 x10 ⁵ (operations)
Operating Temperature	-30~+80°C (-22~176°F)
Degree of Protection	IP65, NEMA type 2, 4, 13 (IP68, NEMA type 6, 6P available on request)

Selection Guide:

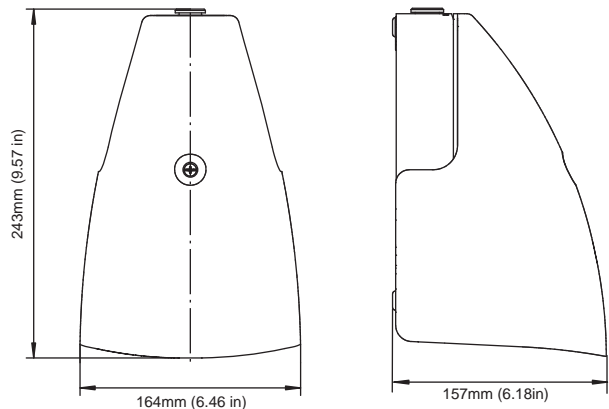


Dimensions:

FSC-61

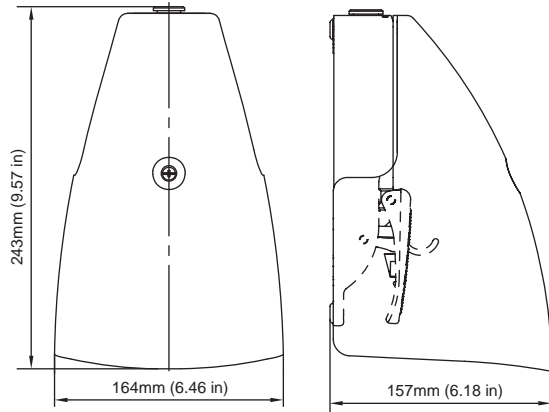


FSC-61G



FSC-6 Series Heavy Duty Foot Switches

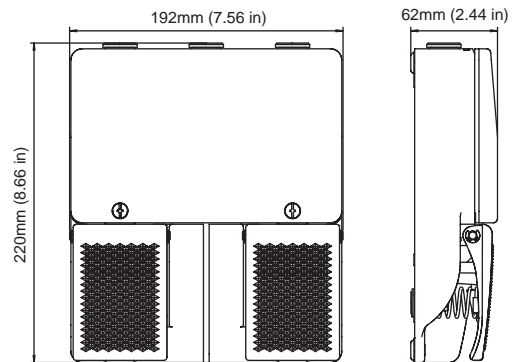
FSC-61G (Anti-trip)



Dual Pedals Specialty Foot Switches

Dimensions:

FSC-62



FSC-62G

