

## FSC-3 Series Medium Duty Foot Switches

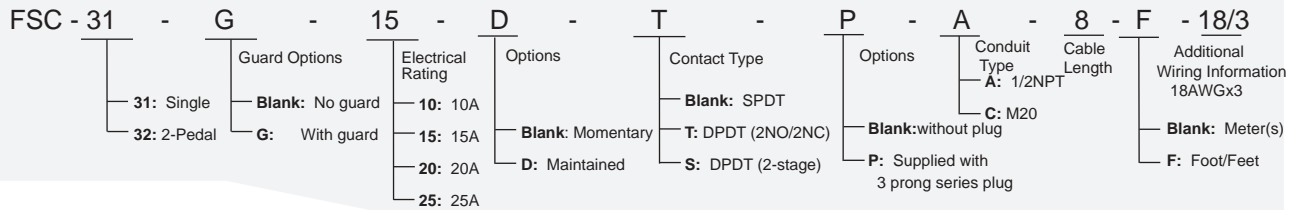
### Features

- Robust zinc metal die cast body
- Four switch ratings available:
  - 10A: 1/2HP 125/250VAC
  - 15A: 3/4HP 125VAC, 1-1/2HP 250VAC
  - 20A: 1-1/2HP 125VAC, 2HP 250VAC
  - 25A: 1-1/2HP 125VAC, 2HP 250VAC
- UL/CSA/CE/CCC certified
- Custom color/wiring available

### Specifications

Operating Frequency	60 ops/min
Insulation Resistance	>100MΩ@500V DC
Contact Resistance	<25mΩ (initial)
Dielectric Strength	1000VAC for 1 min between current carrying parts 2500VAC for 1 min between non-current carrying parts
Service Life	Mechanically 1 x 10 <sup>6</sup> (operations) Electrically 5 x 10 <sup>5</sup> (operations)
Operating Temperature	-30~+80°C (-22~176°F)
Degree of Protection	IP20/IP65

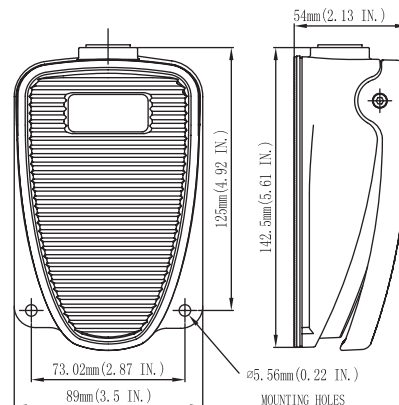
### Selection Guide:



Part Number	Description	Guard	Anti-Trip	Protective Gate	Stage	Circuit	Degree of Protection	Electrical Ratings
FSC-31-20	Momentary	No	No	No	1	SPDT	IP65	20A:1-1/2HP 125VAC,2HP 250VAC
FSC-31G-20	Momentary	Yes	No	No	1	SPDT	IP65	20A:1-1/2HP 125VAC,2HP 250VAC
FSC-31-10-2-18/3	Momentary	No	No	No	1	SPDT	IP65	10A:1/2HP 125/250VAC
FSC-31-15-2-14/3	Momentary	No	No	No	1	SPDT	IP65	15A:3/4HP 125VAC,1-1/2HP 250VAC
FSC-31-15-T	Momentary	No	No	No	1	DPDT	IP65	15A:3/4HP 125VAC,1-1/2HP 250VAC
FSC-31-20-D	Maintained	No	No	No	1	SPDT	IP20	20A:1-1/2HP 125VAC,2HP 250VAC
FSC-31-10-D-2-18/3	Maintained	No	No	No	1	SPDT	IP20	10A:1/2HP 125/250VAC
FSC-31-15-D-2-14/3	Maintained	No	No	No	1	SPDT	IP20	15A:3/4HP 125VAC,1-1/2HP 250VAC
FSC-31-15-T	Momentary	No	No	No	1	DPDT	IP20	15A:3/4HP 125VAC,1-1/2HP 250VAC
FSC-31-15-S	Momentary	No	No	No	2	DPDT	IP20	15A:3/4HP 125VAC,1-1/2HP 250VAC
FSC-32-20	Momentary	No	No	No	1	SPDT	IP65	20A:1-1/2HP 250VAC,2HP 250VAC
FSC-32G-20	Momentary	Yes	No	No	1	SPDT	IP65	20A:1-1/2HP 250VAC,2HP 250VAC
FSC-32-15-2-14/4	Momentary	No	No	No	1	SPDT	IP65	15A:3/4HP 125VAC,1-1/2HP 250VAC

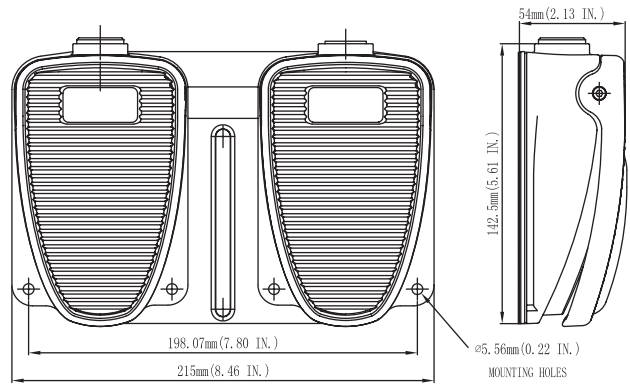
### Dimensions:

#### FSC-31-20

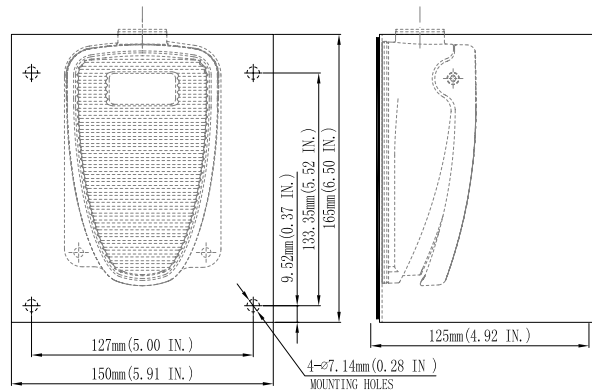


## FSC-3 Series Medium Duty Foot Switches

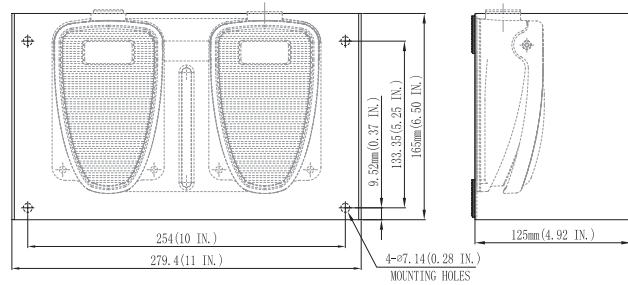
FSC-32-20



FSC-31G-20



FSC-32G-20



FS-1G



FS-TG

