

## FS-9 Series Medical Foot Switches (IPx8)

### Features

- Robust glass fiber reinforced plastics or zinc die cast body
- UL/CSA approved
- Custom color/wiring available

### Specifications

Operating Frequency	60 ops/min
Insulation Resistance	>100MΩ@500V DC
Contact Resistance	<25mΩ (initial)
Rated Current/Voltage	10A/250VAC
Dielectric Strength	1000VAC for 1 min between current carrying parts 2500VAC for 1 min between non-current carrying parts
Service Life	Mechanically 1 x 10 <sup>6</sup> (operations) Electrically 5 x 10 <sup>5</sup> (operations)
Operating Temperature	-30~+80°C (-22~176°F)
Degree of Protection	IPX8(NEMA 4, 4X, 6, 6P)

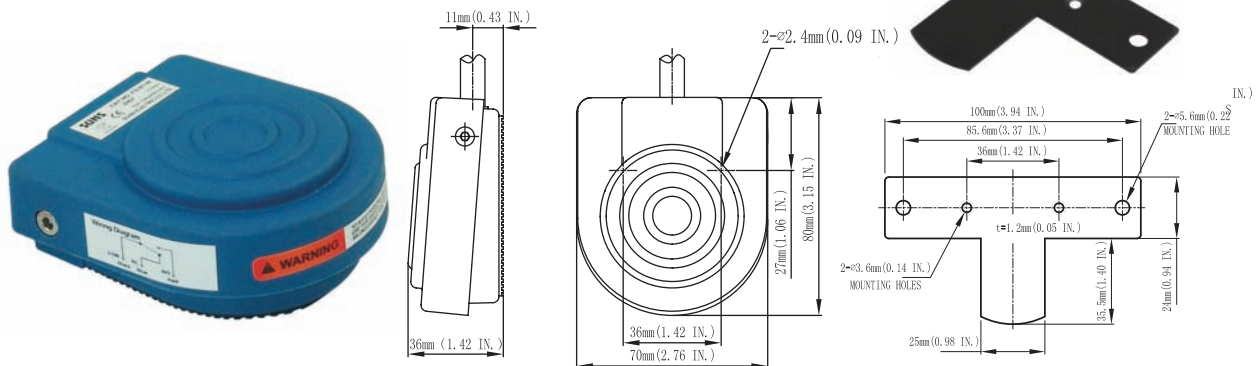
### Selection Guide:

FS	-	91	-	10	-	W	-	M	-	8	-	F	-	18/3
		Number of Pedals						Enclosure Type		Cable Length		Additional Wiring Information e.g. 18AWGx3		
		91: Single Pedal						Blank: Fiber reinforced plastic				Blank: Meter(s)		
		92: Dual Pedal						M: Zinc die cast				F: Foot/feet		

\* Standard pedal color: Black

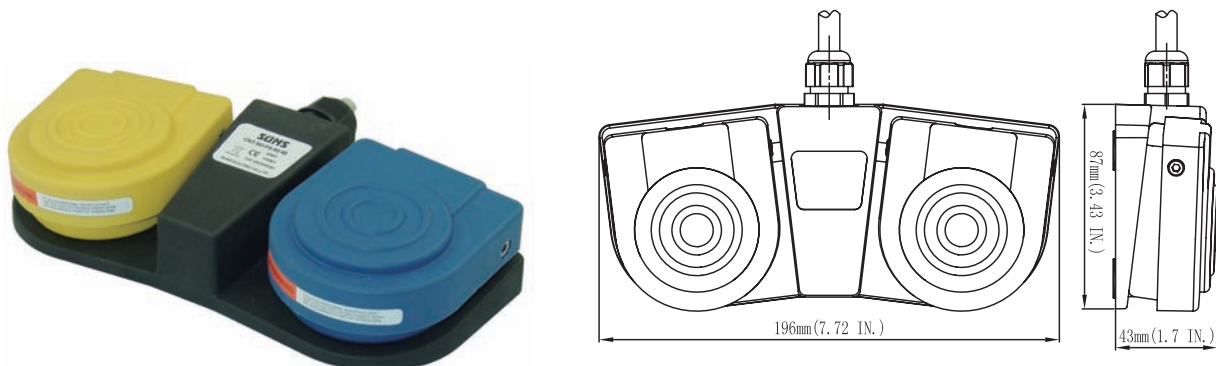
### Dimensions:

**FS-91-10-W-8F-18/2** (18AWGx2, 8ft, 1NO, plastic, cable diameter 7.5mm)  
**FS-91-10-W-M-8F-18/3** (18AWGx3, 8ft, 1NO, metal, cable diameter 7.5mm)



\* Color code:(E.g.suffix:-U for blue)

**FS-92-10-W** (No cable with water-proof micro switch)  
**FS-92-10-W-8F-18/3** (18AWGx3, 8ft, 2x 1NO, plastic, cable diameter 7.8mm)



\* Color code:(E.g.suffix:-Y,U/B for yellow/blue pedals on black base)