

## FS-9 Series Compact Foot Switches

### Features

- Robust glass fiber reinforced plastic or zinc die cast body
- Four switch ratings available:  
 10A: 1/2HP 125/250VAC  
 15A: 3/4HP 125VAC, 1-1/2HP 250VAC  
 20A: 1-1/2HP 125VAC, 2HP 250VAC  
 25A: 1-1/2HP 125VAC, 2HP 250VAC
- UL/CSA/CE/CCC certified
- Custom color/wiring available

### Specifications

Operating Frequency	60 ops/min
Insulation Resistance	>100MΩ@500V DC
Contact Resistance	<25mΩ (initial)
Dielectric Strength	1000VAC for 1 min between current carrying parts 2500VAC for 1 min between non-current carrying parts
Service Life	Mechanically 1 x 10 <sup>6</sup> (operations) Electrically 5 x 10 <sup>5</sup> (operations)
Operating Temperature	-20~+80°C (-4~176°F)
Degree of Protection	IP20/NEMA 1 (IP68/NEMA 6,6P available upon request)

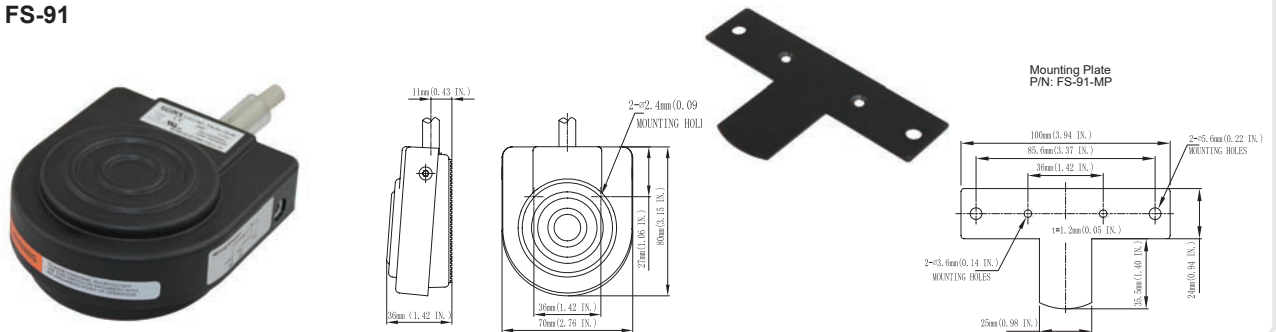
### Selection Guide:

FS	M	-	91	-	10	-	P	-	8	-	F	-	18/3
Enclosure Material			Number of Pedals		Electrical Rating		Options		Cable Length		Additional Wiring Information 18AWGx3		
Blank: Fiber reinforced plastic M: Zinc die cast			91: Single Pedal 92: Dual Pedal		10: 10A 15: 15A 20: 20A 25: 25A		Blank: Without plug P: Supplied with 3 prong series plug				Blank: Meter(s) F: Foot/Feet		

Part Number	Description	Guard	Anti-Trip	Protective Gate	Stage	Circuit	Degree of Protection	Electrical Ratings
FS-91-20	Momentary	No	No	No	1	SPDT	IP20	20A: 1-1/2HP 125VAC, 2HP 250VAC
FSM-91-20	Momentary	No	No	No	1	SPDT	IP20	20A: 1-1/2HP 125VAC, 2HP 250VAC
FS-91-10-2-18/3	Momentary	No	No	No	1	SPDT	IP20	10A: 1/2HP 125/250VAC
FSM-91-10-2-18/3	Momentary	No	No	No	1	SPDT	IP20	10A: 1/2HP 125/250VAC
FS-91-15-2-14/3	Momentary	No	No	No	1	SPDT	IP20	15A: 3/4HP 125VAC, 1-1/2HP 250VAC
FSM-91-15-2-14/3	Momentary	NO	No	No	1	SPDT	IP20	15A: 3/4HP 125VAC, 1-1/2HP 250VAC
FS-92-20	Momentary	No	No	No	1	SPDT	IP20	20A: 1-1/2HP 125VAC, 2HP 250VAC
FSM-92-20	Momentary	No	No	No	1	SPDT	IP20	20A: 1-1/2HP 125VAC, 2HP 250VAC
FS-92-10-2-18/4	Momentary	No	No	No	1	SPDT	IP20	10A: 1/2HP 125/250VAC
FSM-92-10-2-18/4	Momentary	No	No	No	1	SPDT	IP20	10A: 1/2HP 125/250VAC
FS-92-15-2-14/4	Momentary	No	No	No	1	SPDT	IP20	15A: 3/4HP 125VAC, 1-1/2HP 250VAC
FS-92-15-M-2-14/4	Momentary	No	No	No	1	SPDT	IP20	15A: 3/4HP 125VAC, 1-1/2HP 250VAC

### Dimensions:

#### FS-91



#### FS-92

