

FS-81 FS-21 Series Single Pedal Medical Foot Switches (IPX8)

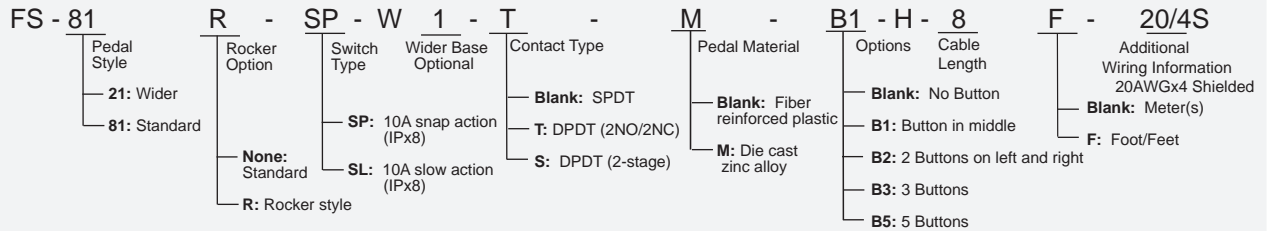
Features

- Aluminum alloy die cast base
- Galvanically separated contacts (for -SP, -SL)
- Positive opening of NC contacts (for -SP, -SL)
- UL/CSA/CE/CCC certified
- IEC60601 certification issued by TÜV for medical applications
- Custom color/wiring available

Specifications

Operating Frequency	60 ops/min
Insulation Resistance	>100MΩ@500V DC
Contact Resistance	<25mΩ (initial)
Rated Current/Voltage	Ith: 10A Ui: 300V AC UL Rating: A300/AC15 CCC Rating: 10A/250V IEC60601 (TUV): 5A/25VAC
Inrush Current	Complies with IEC947-5-1: AC15/DC13
Dielectric Strength	1000VAC for 1 min between current carrying parts 2500VAC for 1 min between non-current carrying parts
Service Life	1 x10 ⁶ (operations)
Operating Temperature	-30~+80°C (-22~176°F)
Degree of Protection	IPX8(NEMA 4, 4X, 6, 6P)

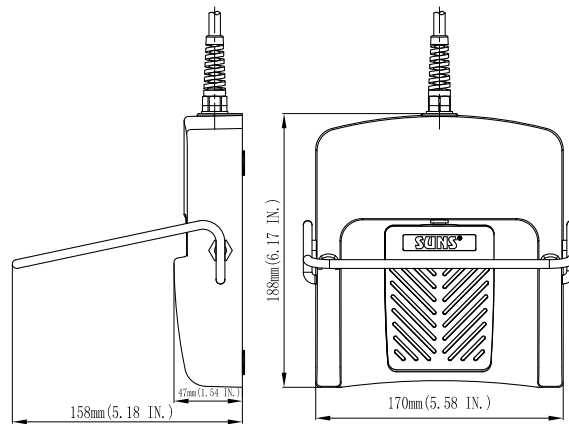
Selection Guide:



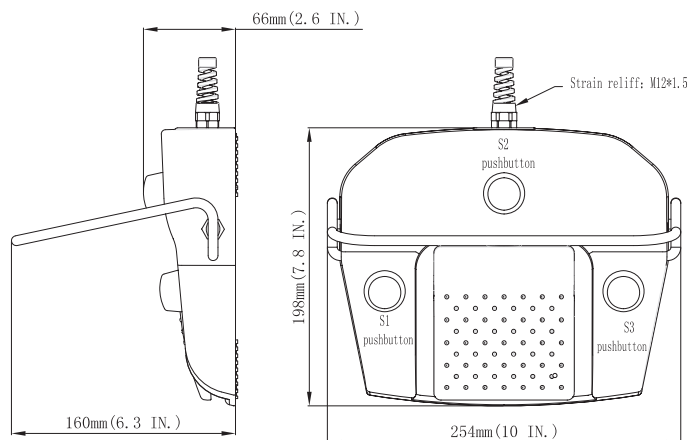
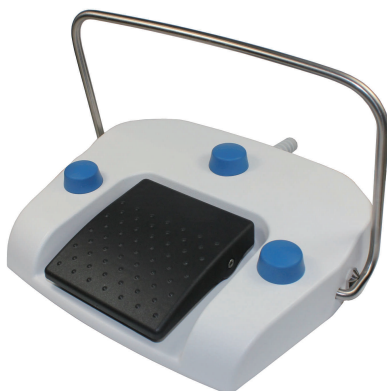
* Standard pedal color: Black

Dimensions:

FS-81-SP-W-M-B2-H-2

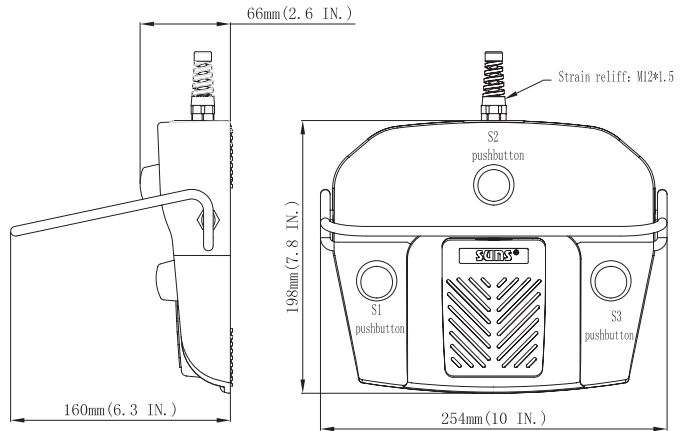
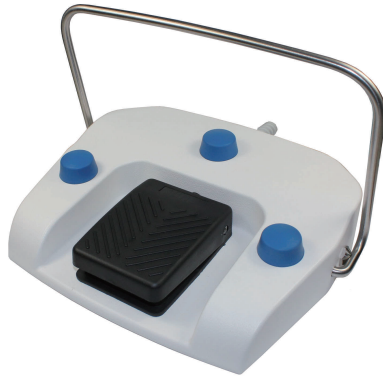


FS-81-SP-W1-T-B3-H-2



FS-81 FS-21 Series Single Pedal Medical Foot Switches (IPX8)

FS-81-SP-W1-T-B3-H-2



FS-81R-SP-W1-B3-H-2

