

## FS-71 Series Medical Foot Switches

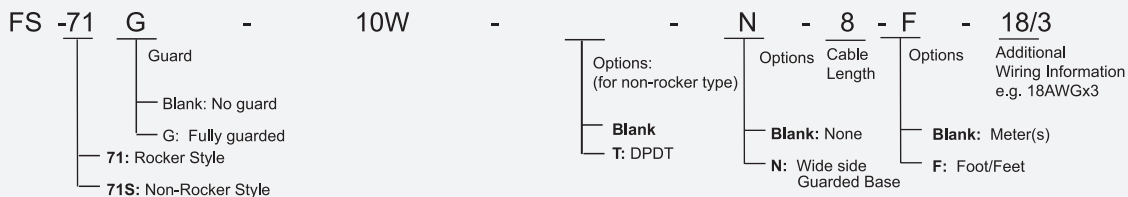
### Features

- Robust glass fiber reinforced plastic housing
- Each pedal rocks left and right operating on the teeter-totter principle: Pressure on one side opens or closes line and release of returns the switch back to normal off position (Both sides are independent)
- UL, CSA, CE, CCC certified
- Custom color/wiring available

### Specifications

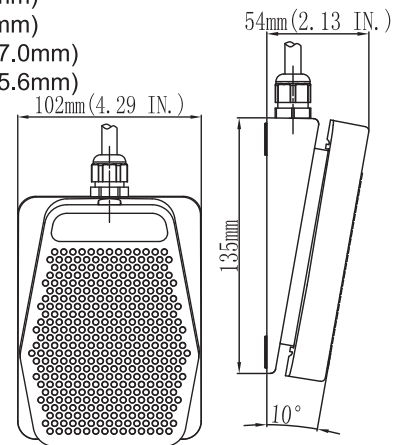
Operating Frequency	60 ops/min
Insulation Resistance	>100MW@500V DC
Contact Resistance	<25mΩ (initial)
Rated Current/Voltage	10A/15A 1/2HP 250VAC (UL file E321073)
Dielectric Strength	1000VAC for 1 min between current carrying parts 2500VAC for 1 min between non-current carrying parts
Service Life	Mechanically 1 x 10 <sup>6</sup> (operations)
Operating Temperature	-30~+80°C (-22~176°F)
Degree of Protection	IPX8/NEMA 4,4X,6,6P (add -w suffix)

### Selection Guide:



### Dimensions:

- FS-71-10-W-2-20/4S** (20AWGx4, shielded, 2 meters, 2x 1NO, cable diameter 7.0mm)
- FS-71-10-W-2-22/5S** (22AWGx5, shielded, 2 meters, 2x 1NO, cable diameter 5.6mm)
- FS-71S-10-W-2-20/4S** (20AWGx4, shielded, 2 meters, 1NO/1NC, cable diameter 7.0mm)
- FS-71S-10-W-2-22/5S** (22AWGx5, shielded, 2 meters, 1NO/1NC, cable diameter 5.6mm)



- FS-71-10-W-N-2-20/4S** (20AWGx4, shielded, 2 meters, 2x 1NO, cable diameter 7.0mm)
- FS-71-10-W-N-2-22/5S** (22AWGx5, shielded, 2 meters, 2x 1NO, cable diameter 5.6mm)
- FS-71S-10-W-N-2-20/4S** (20AWGx4, shielded, 2 meters, 1NO/1NC, cable diameter 7.0mm)
- FS-71S-10-W-N-2-22/5S** (22AWGx5, shielded, 2 meters, 1NO/1NC, cable diameter 5.6mm)

