

GLOBAL STYLE SAFETY LIMIT SWITCHES (Metal Bodied EN50041 COMPATIBLE) SN63 SERIES (3 - CONDUIT ENTRY)

SUNS products help to make factories run more efficiently, product manufacturing smarter, and automation environments more productive.



Features

- Zinc die cast body
- Earth grounding surface on same level as switching
- Easily interchangeable contact block
- Galvanically separated contacts
- Screw terminals with self-lifting clamps for easy wiring
- Positive Opening of NC contacts
- 4 x 90° actuator positions
- Cable entry available: M20, PG13.5 and 1/2"NPT
- Conform to EN 50041 standard

Definitions of Operating Characteristics

- OF Operating Force
- RF Releasing Force
- OT Overtravel
- TT Total Travel
- PT Pretravel
- MD Movement Differential
- OP Operating Position
- PO Travel to Positive Opening



Specifications

Operating Speed	0.05mm-2m/sec
Operating Frequency	Mechanical: 120ops/min Electrical: 30 ops/min
Insulation Resistance	>100MΩ@500V DC
Contact Resistance	<25mΩ (initial value)
Rated Thermal Current	10A/600V AC (EN60947-5-1) UL/cUL Listed (E216958) AC15 A600 / DC13 Q300
Dielectric Strength	1000VAC for 1 min between current carrying parts 2500VAC for 1 min between non-current carrying parts
Service Life	Mechanically 1.0 x10 ⁷ (operations) Electrically 5 x10 ⁵ (operations)
Operating Temperature	-25~+80°C (-13~176°F) with no icing
Humidity	< 95%RH
Weight	450-530g
Degree of Protection	IP67

Selection Guide:

SN63

Body Styles

04

Head Styles

SP

Contact Block

- SP: 1NO/1NC Snap action
- SPT: 2NO/2NC Snap action
- SL: BBM 1NO/1NC Slow Action changeover
- SL1: MBB 1NO/1NC Slow Action Overlapping
- SL2: 2NC Slow Action
- SL3: 2NO Slow Action
- SL4: 3NC Slow Action
- SL5: 3NO Slow Action
- SL6: BBM 2NC/1NO Slow Action changeover
- SL7: MBB 2NC/1NO Slow Action Overlapping
- SL8: BBM 2NO/1NC Slow Action changeover
- SL9: MBB 2NO/1NC Slow Action Overlapping

C

Conduits

- A: 1/2"NPT
- B: PG13.5
- C: M20

-

R

- Blank
- R: with Reset

GLOBAL STYLE SAFETY LIMIT SWITCHES (Metal Bodied EN50041 COMPATIBLE) SN63 SERIES (3 - CONDUIT ENTRY)

Available contact blocks and travel diagrams



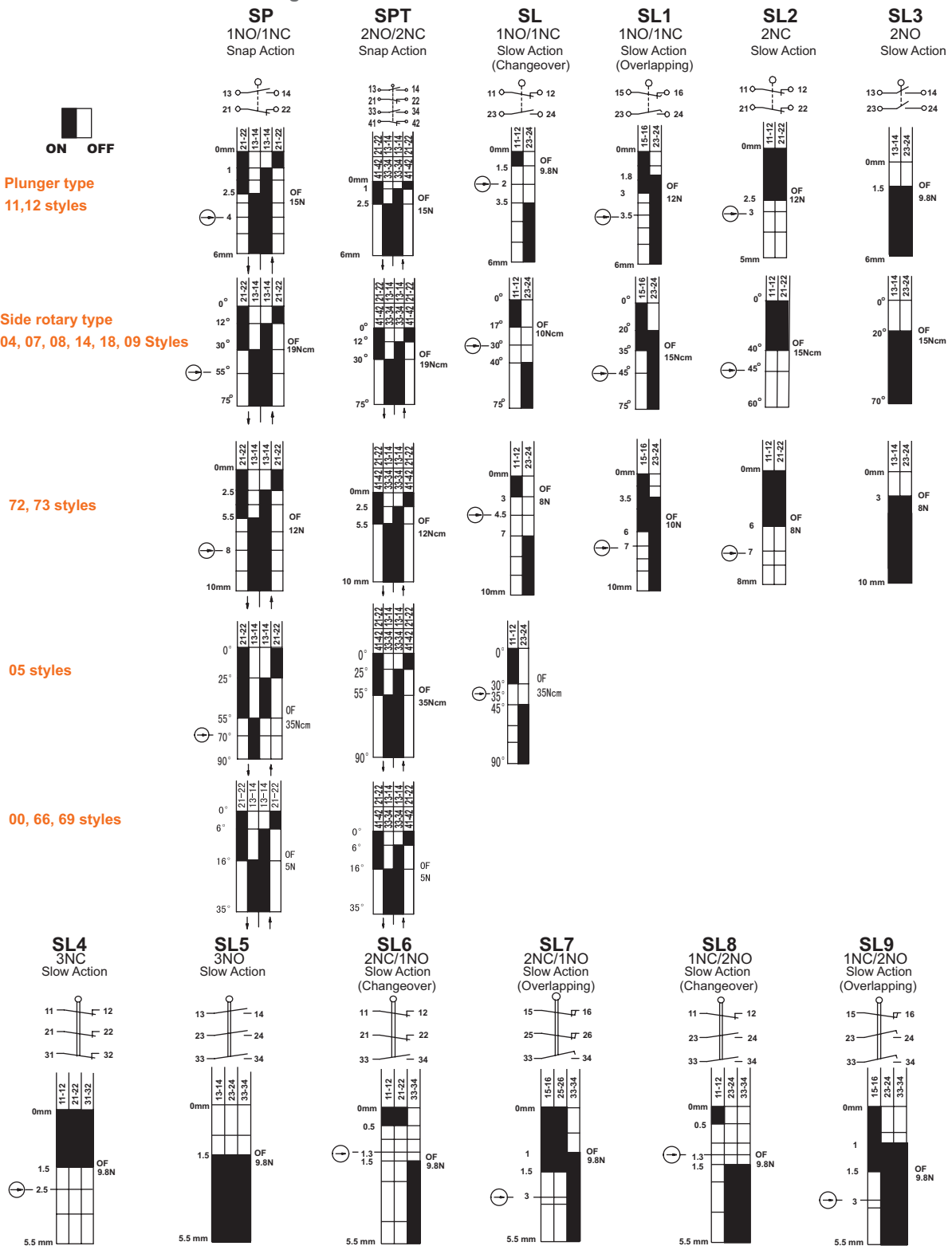
Plunger type
11,12 styles

Side rotary type
04, 07, 08, 14, 18, 09 Styles

72, 73 styles

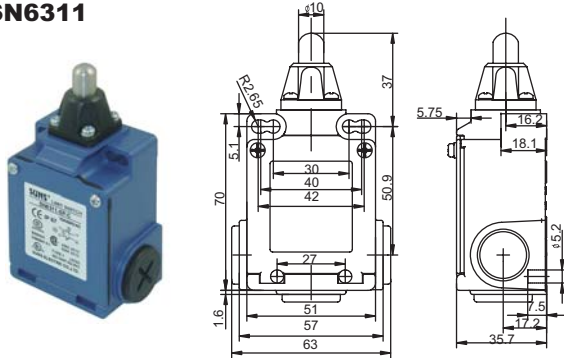
05 styles

00, 66, 69 styles



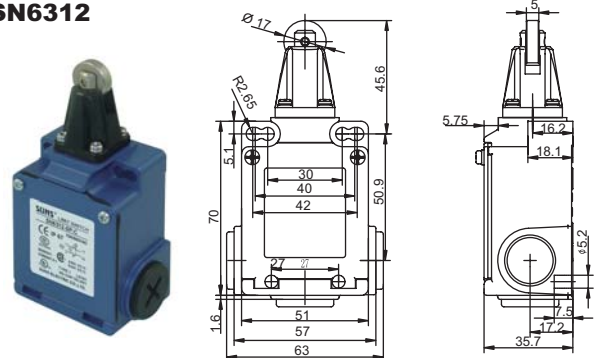
GLOBAL STYLE SAFETY LIMIT SWITCHES (Metal Bodied EN50041 COMPATIBLE) SN63 SERIES (3 - CONDUIT ENTRY)

SN6311



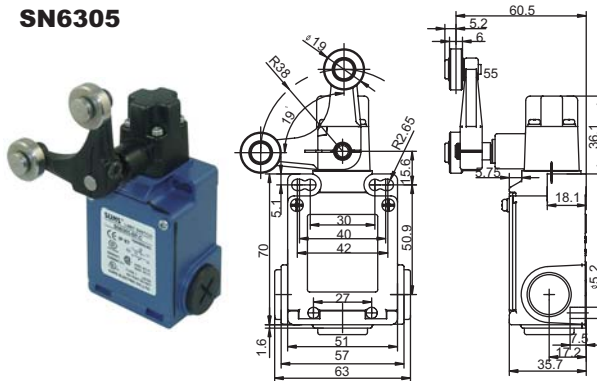
Order Code	Contact block			
SN6311-SP-__	SP	→	snap action	1NO+1NC
SN6311-SL-__	SL	→	slow action	1NO+1NC BBM
SN6311-SL1-__	SL1	→	slow action	1NO+1NC MBB
SN6311-SL2-__	SL2	→	slow action	2NC

SN6312



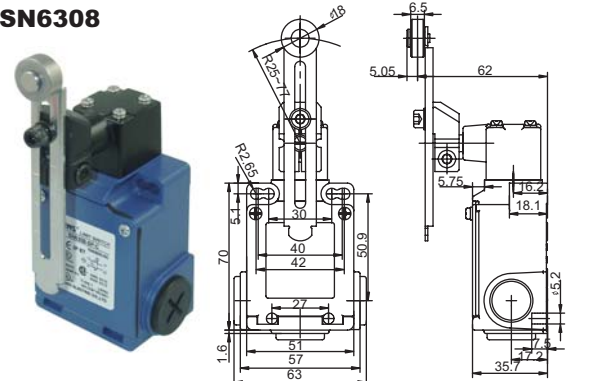
Order Code	Contact block			
SN6312-SP-__	SP	→	snap action	1NO+1NC
SN6312-SL-__	SL	→	slow action	1NO+1NC BBM
SN6312-SL1-__	SL1	→	slow action	1NO+1NC MBB
SN6312-SL2-__	SL2	→	slow action	2NC

SN6305



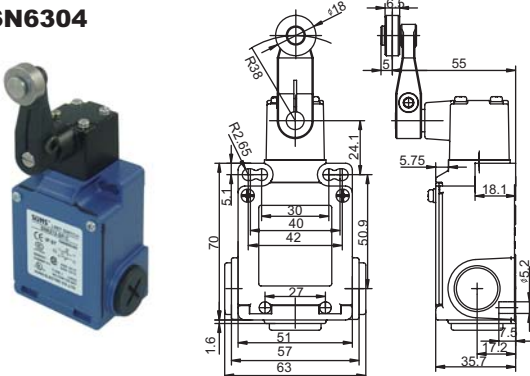
Order Code	Contact block			
SN6305-SP-__	SP	→	snap action	1NO+1NC
SN6305-SL-__	SL	→	slow action	1NO+1NC BBM

SN6308



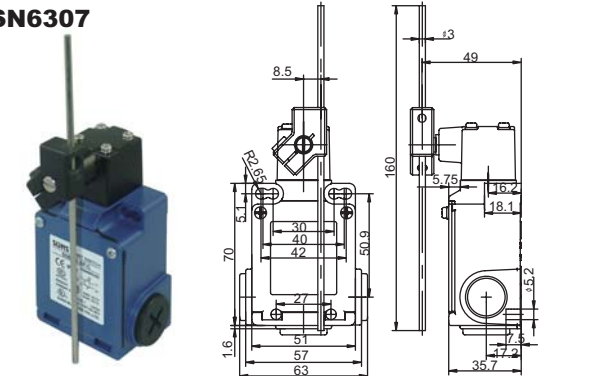
Order Code	Contact block			
SN6308-SP-__	SP	→	snap action	1NO+1NC
SN6308-SL-__	SL	→	slow action	1NO+1NC BBM
SN6308-SL1-__	SL1	→	slow action	1NO+1NC MBB
SN6308-SL2-__	SL2	→	slow action	2NC

SN6304



Order Code	Contact block			
SN6304-SP-__	SP	→	snap action	1NO+1NC
SN6304-SL-__	SL	→	slow action	1NO+1NC BBM
SN6304-SL1-__	SL1	→	slow action	1NO+1NC MBB
SN6304-SL2-__	SL2	→	slow action	2NC

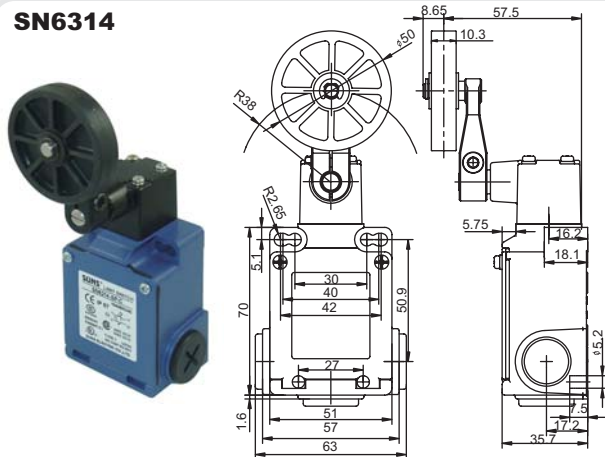
SN6307



Order Code	Contact block			
SN6307-SP-__	SP	→	snap action	1NO+1NC
SN6307-SL-__	SL	→	slow action	1NO+1NC BBM
SN6307-SL1-__	SL1	→	slow action	1NO+1NC MBB
SN6307-SL2-__	SL2	→	slow action	2NC

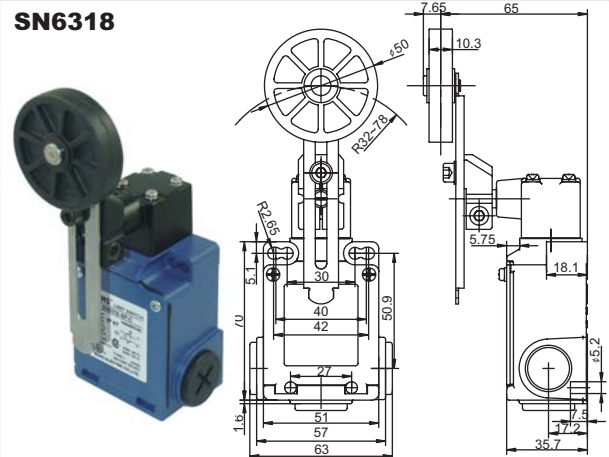
GLOBAL STYLE SAFETY LIMIT SWITCHES (Metal Bodied EN50041 COMPATIBLE) SN63 SERIES (3 - CONDUIT ENTRY)

SN6314



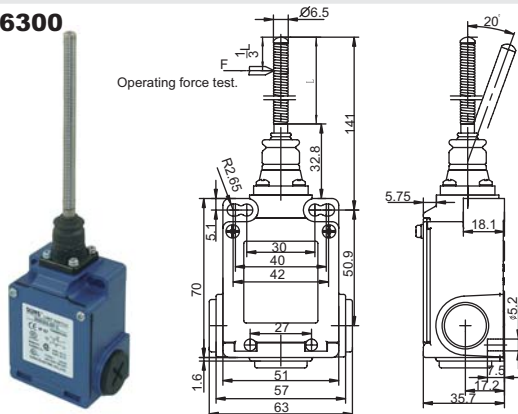
Order Code	Contact block	Symbol	Action	Configuration
SN6314-SP- _	SP		snap action	1NO+1NC
SN6314-SL- _	SL		slow action	1NO+1NC BBM
SN6314-SL1- _	SL1		slow action	1NO+1NC MBB
SN6314-SL2- _	SL2		slow action	2NC

SN6318



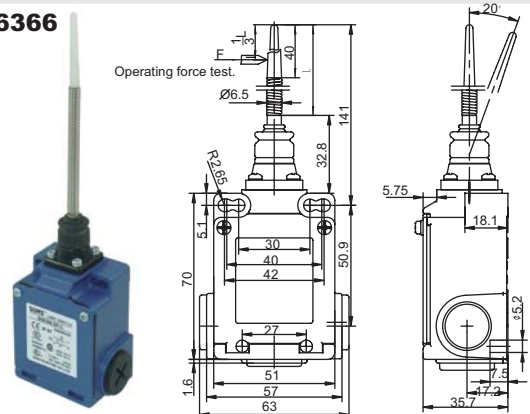
Order Code	Contact block	Symbol	Action	Configuration
SN6318-SP- _	SP		snap action	1NO+1NC
SN6318-SL- _	SL		slow action	1NO+1NC BBM
SN6318-SL1- _	SL1		slow action	1NO+1NC MBB
SN6318-SL2- _	SL2		slow action	2NC

SN6300



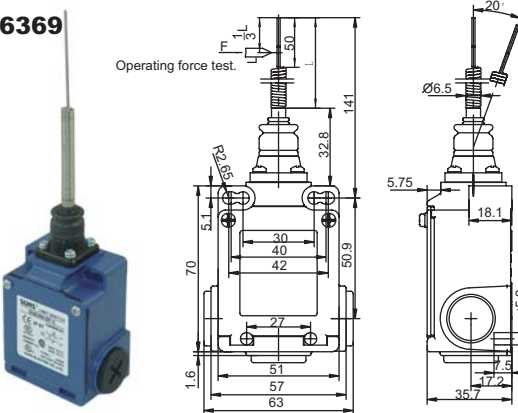
Order Code	Contact block	Symbol	Action	Configuration
SN6300-SP- _	SP		snap action	1NO+1NC

SN6366



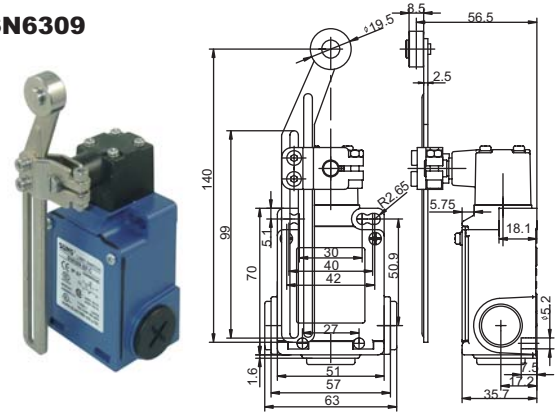
Order Code	Contact block	Symbol	Action	Configuration
SN6366-SP- _	SP		snap action	1NO+1NC

SN6369



Order Code	Contact block	Symbol	Action	Configuration
SN6369-SP- _	SP		snap action	1NO+1NC

SN6309



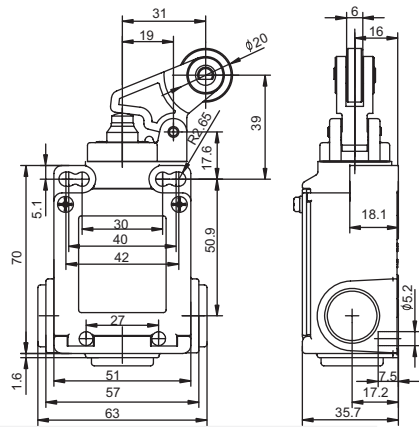
Order Code	Contact block	Symbol	Action	Configuration
SN6309-SP- _	SP		snap action	1NO+1NC
SN6309-SL- _	SL		slow action	1NO+1NC BBM
SN6309-SL1- _	SL1		slow action	1NO+1NC MBB
SN6309-SL2- _	SL2		slow action	2NC

GLOBAL STYLE SAFETY LIMIT SWITCHES (Metal Bodied EN50041 COMPATIBLE) SN63 SERIES (3 - CONDUIT ENTRY)

<p>SN6305(AB)</p>	<p>SN6308(AB)</p>																																								
<p>Order Code Contact block</p> <table border="1"> <tbody> <tr> <td>SN6305-SP-_(AB)</td> <td>SP</td> <td>↻</td> <td>snap action</td> <td>1NO+1NC</td> </tr> <tr> <td>SN6305-SL-_(AB)</td> <td>SL</td> <td>↻</td> <td>slow action</td> <td>1NO+1NC BBM</td> </tr> </tbody> </table>	SN6305-SP-_(AB)	SP	↻	snap action	1NO+1NC	SN6305-SL-_(AB)	SL	↻	slow action	1NO+1NC BBM	<p>Order Code Contact block</p> <table border="1"> <tbody> <tr> <td>SN6308-SP-_(AB)</td> <td>SP</td> <td>↻</td> <td>snap action</td> <td>1NO+1NC</td> </tr> <tr> <td>SN6308-SL-_(AB)</td> <td>SL</td> <td>↻</td> <td>slow action</td> <td>1NO+1NC BBM</td> </tr> <tr> <td>SN6308-SL1-_(AB)</td> <td>SL1</td> <td>↻</td> <td>slow action</td> <td>1NO+1NC MBB</td> </tr> <tr> <td>SN6308-SL2-_(AB)</td> <td>SL2</td> <td>↻</td> <td>slow action</td> <td>2NC</td> </tr> </tbody> </table>	SN6308-SP-_(AB)	SP	↻	snap action	1NO+1NC	SN6308-SL-_(AB)	SL	↻	slow action	1NO+1NC BBM	SN6308-SL1-_(AB)	SL1	↻	slow action	1NO+1NC MBB	SN6308-SL2-_(AB)	SL2	↻	slow action	2NC										
SN6305-SP-_(AB)	SP	↻	snap action	1NO+1NC																																					
SN6305-SL-_(AB)	SL	↻	slow action	1NO+1NC BBM																																					
SN6308-SP-_(AB)	SP	↻	snap action	1NO+1NC																																					
SN6308-SL-_(AB)	SL	↻	slow action	1NO+1NC BBM																																					
SN6308-SL1-_(AB)	SL1	↻	slow action	1NO+1NC MBB																																					
SN6308-SL2-_(AB)	SL2	↻	slow action	2NC																																					
<p>SN6304(AB)</p>	<p>SN6307(AB)</p>																																								
<p>Order Code Contact block</p> <table border="1"> <tbody> <tr> <td>SN6304-SP-_(AB)</td> <td>SP</td> <td>↻</td> <td>snap action</td> <td>1NO+1NC</td> </tr> <tr> <td>SN6304-SL-_(AB)</td> <td>SL</td> <td>↻</td> <td>slow action</td> <td>1NO+1NC BBM</td> </tr> <tr> <td>SN6304-SL1-_(AB)</td> <td>SL1</td> <td>↻</td> <td>slow action</td> <td>1NO+1NC MBB</td> </tr> <tr> <td>SN6304-SL2-_(AB)</td> <td>SL2</td> <td>↻</td> <td>slow action</td> <td>2NC</td> </tr> </tbody> </table>	SN6304-SP-_(AB)	SP	↻	snap action	1NO+1NC	SN6304-SL-_(AB)	SL	↻	slow action	1NO+1NC BBM	SN6304-SL1-_(AB)	SL1	↻	slow action	1NO+1NC MBB	SN6304-SL2-_(AB)	SL2	↻	slow action	2NC	<p>Order Code Contact block</p> <table border="1"> <tbody> <tr> <td>SN6307-SP-_(AB)</td> <td>SP</td> <td>↻</td> <td>snap action</td> <td>1NO+1NC</td> </tr> <tr> <td>SN6307-SL-_(AB)</td> <td>SL</td> <td>↻</td> <td>slow action</td> <td>1NO+1NC BBM</td> </tr> <tr> <td>SN6307-SL1-_(AB)</td> <td>SL1</td> <td>↻</td> <td>slow action</td> <td>1NO+1NC MBB</td> </tr> <tr> <td>SN6307-SL2-_(AB)</td> <td>SL2</td> <td>↻</td> <td>slow action</td> <td>2NC</td> </tr> </tbody> </table>	SN6307-SP-_(AB)	SP	↻	snap action	1NO+1NC	SN6307-SL-_(AB)	SL	↻	slow action	1NO+1NC BBM	SN6307-SL1-_(AB)	SL1	↻	slow action	1NO+1NC MBB	SN6307-SL2-_(AB)	SL2	↻	slow action	2NC
SN6304-SP-_(AB)	SP	↻	snap action	1NO+1NC																																					
SN6304-SL-_(AB)	SL	↻	slow action	1NO+1NC BBM																																					
SN6304-SL1-_(AB)	SL1	↻	slow action	1NO+1NC MBB																																					
SN6304-SL2-_(AB)	SL2	↻	slow action	2NC																																					
SN6307-SP-_(AB)	SP	↻	snap action	1NO+1NC																																					
SN6307-SL-_(AB)	SL	↻	slow action	1NO+1NC BBM																																					
SN6307-SL1-_(AB)	SL1	↻	slow action	1NO+1NC MBB																																					
SN6307-SL2-_(AB)	SL2	↻	slow action	2NC																																					
<p>SN6314(AB)</p>	<p>SN6318(AB)</p>																																								
<p>Order Code Contact block</p> <table border="1"> <tbody> <tr> <td>SN6314-SP-_(AB)</td> <td>SP</td> <td>↻</td> <td>snap action</td> <td>1NO+1NC</td> </tr> <tr> <td>SN6314-SL-_(AB)</td> <td>SL</td> <td>↻</td> <td>slow action</td> <td>1NO+1NC BBM</td> </tr> <tr> <td>SN6314-SL1-_(AB)</td> <td>SL1</td> <td>↻</td> <td>slow action</td> <td>1NO+1NC MBB</td> </tr> <tr> <td>SN6314-SL2-_(AB)</td> <td>SL2</td> <td>↻</td> <td>slow action</td> <td>2NC</td> </tr> </tbody> </table>	SN6314-SP-_(AB)	SP	↻	snap action	1NO+1NC	SN6314-SL-_(AB)	SL	↻	slow action	1NO+1NC BBM	SN6314-SL1-_(AB)	SL1	↻	slow action	1NO+1NC MBB	SN6314-SL2-_(AB)	SL2	↻	slow action	2NC	<p>Order Code Contact block</p> <table border="1"> <tbody> <tr> <td>SN6318-SP-_(AB)</td> <td>SP</td> <td>↻</td> <td>snap action</td> <td>1NO+1NC</td> </tr> <tr> <td>SN6318-SL-_(AB)</td> <td>SL</td> <td>↻</td> <td>slow action</td> <td>1NO+1NC BBM</td> </tr> <tr> <td>SN6318-SL1-_(AB)</td> <td>SL1</td> <td>↻</td> <td>slow action</td> <td>1NO+1NC MBB</td> </tr> <tr> <td>SN6318-SL2-_(AB)</td> <td>SL2</td> <td>↻</td> <td>slow action</td> <td>2NC</td> </tr> </tbody> </table>	SN6318-SP-_(AB)	SP	↻	snap action	1NO+1NC	SN6318-SL-_(AB)	SL	↻	slow action	1NO+1NC BBM	SN6318-SL1-_(AB)	SL1	↻	slow action	1NO+1NC MBB	SN6318-SL2-_(AB)	SL2	↻	slow action	2NC
SN6314-SP-_(AB)	SP	↻	snap action	1NO+1NC																																					
SN6314-SL-_(AB)	SL	↻	slow action	1NO+1NC BBM																																					
SN6314-SL1-_(AB)	SL1	↻	slow action	1NO+1NC MBB																																					
SN6314-SL2-_(AB)	SL2	↻	slow action	2NC																																					
SN6318-SP-_(AB)	SP	↻	snap action	1NO+1NC																																					
SN6318-SL-_(AB)	SL	↻	slow action	1NO+1NC BBM																																					
SN6318-SL1-_(AB)	SL1	↻	slow action	1NO+1NC MBB																																					
SN6318-SL2-_(AB)	SL2	↻	slow action	2NC																																					

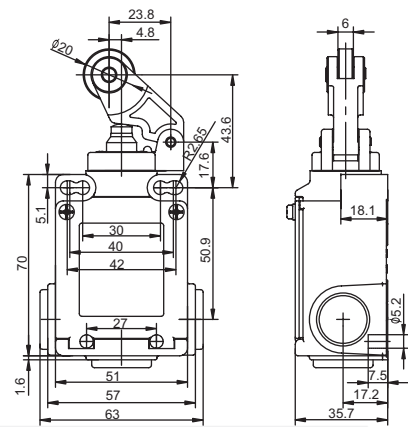
GLOBAL STYLE SAFETY LIMIT SWITCHES (Metal Bodied EN50041 COMPATIBLE) SN63 SERIES (3 - CONDUIT ENTRY)

SN6372



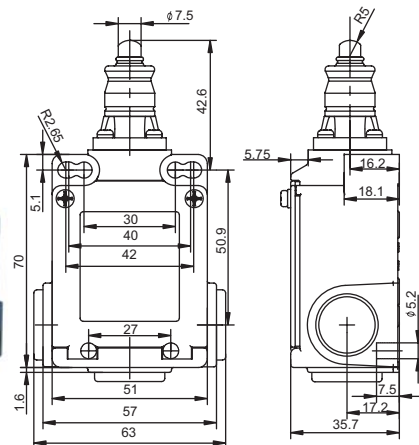
Order Code	Contact block			
SN6372-SP- _	SP	⊕	snap action	1NO+1NC
SN6372-SL- _	SL	⊕	slow action	1NO+1NC BBM
SN6372-SL1- _	SL1	⊕	slow action	1NO+1NC MBB
SN6372-SL2- _	SL2	⊕	slow action	2NC

SN6373



Order Code	Contact block			
SN6373-SP- _	SP	⊕	snap action	1NO+1NC
SN6373-SL- _	SL	⊕	slow action	1NO+1NC BBM
SN6373-SL1- _	SL1	⊕	slow action	1NO+1NC MBB
SN6373-SL2- _	SL2	⊕	slow action	2NC

SN6311-L



Order Code	Contact block			
SN6311-SP- _L	SP	⊕	snap action	1NO+1NC
SN6311-SL- _L	SL	⊕	slow action	1NO+1NC BBM
SN6311-SL1- _L	SL1	⊕	slow action	1NO+1NC MBB
SN6311-SL2- _L	SL2	⊕	slow action	2NC

See page 9 and page 10 for additional heads

Additional Lever Heads for SN61,SN62,SND61,SN63



Cast Aluminum Lever Arms with Roller

Add '-P' suffix for nylon roller (following part numbers are with steel roller)

Arm Length in. (mm)	Roller Diameter in. (mm)	Roller Width in. (mm)	Part Number
1.38 (35)	0.75 (19)	0.25 (6.3)	H-04B1(AB)
		0.63 (16)	H-04B2(AB)
	0.63 (16)	0.25 (6.3)	H-04B3(AB)
		0.63 (16)	H-04B4(AB)
		1 (25.4)	H-04B5(AB)
1.5 (38)	0.75 (19)	0.25 (6.3)	H-04C1(AB)
		0.63 (16)	H-04C2(AB)
	0.63 (16)	0.25 (6.3)	H-04C3(AB)
		0.63 (16)	H-04C4(AB)
		1(25.4)	H-04C5(AB)
		1.97(50)	H-4C5(AB)
2 (51)	0.75 (19)	0.25 (6.3)	H-04D1(AB)
		0.63 (16)	H-04D2(AB)
	0.63 (16)	0.25 (6.3)	H-04D3(AB)
		0.63 (16)	H-04D4(AB)
2.5 (63.5)	0.75 (19)	0.25 (6.3)	H-04E1(AB)
		0.63 (16)	H-04E2(AB)
	0.63 (16)	0.25 (6.3)	H-04E3(AB)
		0.63 (16)	H-04E4(AB)
3 (76)	0.75 (19)	0.25 (6.3)	H-04F1(AB)
		0.63 (16)	H-04F2(AB)
	0.63 16	0.25 (6.3)	H-04F3(AB)
		0.63 16	H-04F4(AB)

* Mounting hole center to roller center distance

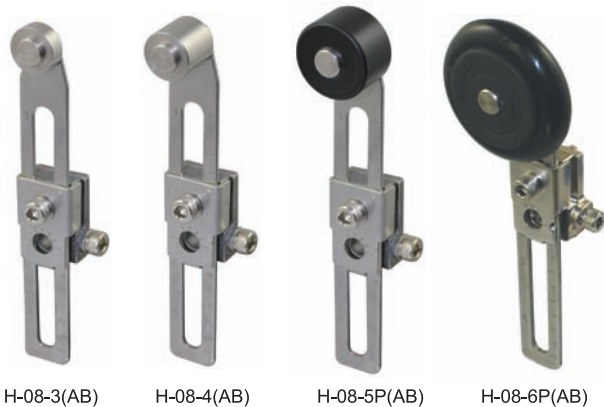


90° Forked Cast Aluminum Lever Arms with Roller

Add '-P' suffix for nylon roller (following part numbers are with steel roller)

Arm Length in. (mm)	Roller			Part Number
	Roller Position	Diameter in. (mm)	Width in. (mm)	
1.5 (38)	Rollers on same side	0.75 (19)	0.25 (6.3)	H-05-1(AB)
		0.63 (16)	0.25 (6.3)	H-05-3(AB)
	R.H. Rollers on opposite side	0.75 (19)	0.25 (6.3)	H-05-1RH(AB)
		0.63 (16)	0.25 (6.3)	H-05-3RH(AB)
	L.H. Rollers on opposite side	0.75 (19)	0.25 (6.3)	H-05-1LH(AB)
		0.63 (16)	0.25 (6.3)	H-05-3LH(AB)

* Mounting hole center to roller center distance



Adjustable Length Lever Arm with Steel Roller

Lever Length in. (mm)	Roller Dia. in. (mm)	Roller Width in. (mm)	Part Number
Non-bendable, adjustable from 22-101mm	0.63 (16)	0.25 (6.3)	H-08-3(AB)
	0.63 (16)	0.63 (16)	H-08-4(AB)
	0.75(19)	0.25(6.3)	H-08-5(AB)
	0.63 (16)	0.25 (6.3)	H-08B-3(AB)
Bendable, adjustable from 22-101mm	0.63 (16)	0.63 (16)	H-08B-4(AB)
	0.75(19)	0.25(6.3)	H-08B-5(AB)

Adjustable Length Lever Arm with Nylon Roller

Lever Length in. (mm)	Roller Dia. in. (mm)	Roller Width in. (mm)	Part Number
Non-bendable, adjustable from 22-101mm	0.63 (16)	0.25 (6.3)	H-08-3P(AB)
	1 (25.4)	0.63 (16)	H-08-5P(AB)
	0.63 (16)	0.25 (6.3)	H-08B-3P(AB)
Bendable, adjustable from 22-101mm	1.0 (25.4)	0.63 (16)	H-08B-5P(AB)
	2 (51)	0.25 (6.3)	H-08B-6P(AB)
	0.75(19)	0.25(6.3)	H-08-7P(AB)

* Mounting hole center to roller center distance

Additional Lever Heads for SN61,SN62,SND61,SN63



Rod Type Lever Arms

Description	Length in. (mm)	Part Number
Stainless Steel Rod	10 (254)	H-07-10(AB)
Spring Rod, Steel	12 (304)	H-07S-12(AB)
Spring Rod, Delrin	12 (304)	H-07P-12(AB)
Looped Delrin Rod Arm	160MM(6.3IN.)	H-06(AB)
Looped Delrin Rod Arm	228MM(9IN.)	H-09(AB)