

SN1 Series Compact Precision Limit Switches

Features:

- Robust metal enclosure design
- Compact, space-saving and tightly gang mounting possible
- High sealability, oil-resistant/Immersion-proof type
- Long mechanical life of 20 million operations
- High sensitivity. (M.D. =0.1mm)
- Gold plated contact available for low current applications
- M12 connector type available

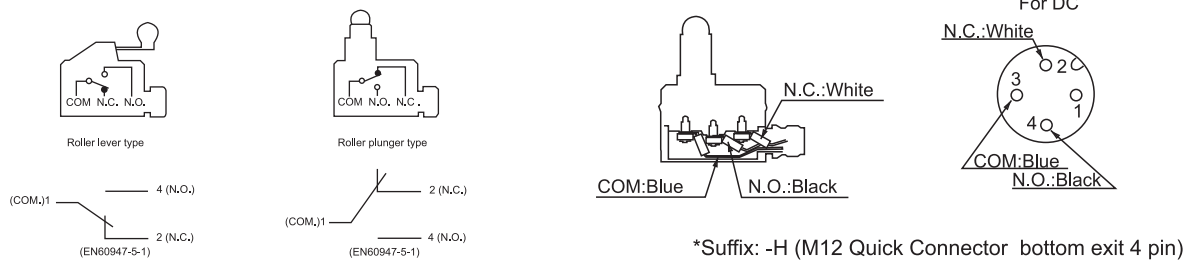
Definitions of Operating Characteristics

OF	Operating Force	PT	Pretravel
RF	Releasing Force	MD	Movement Differential
OT	Overtravel	OP	Operating Position
TT	Total Travel		

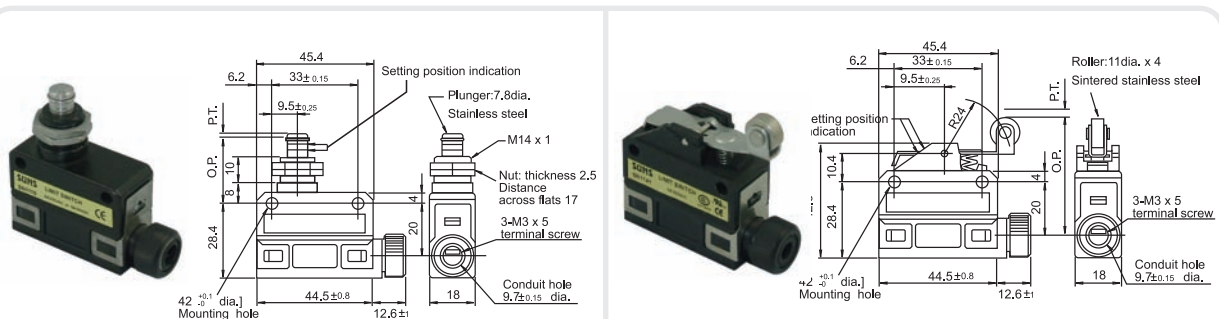
Specifications

Operating Speed	0.02mm-0.5m/sec		
Operating Frequency	120 ops/min		
Insulation Resistance	>100MΩ@500V DC		
Contact Resistance	<25mΩ (initial value)		
Electrical Rating	Standard Load Type (Silver contacts)	5A/250VAC or 5A/30VDC	
	Low Current Type (Gold Plated Contacts)	0.1A/250VAC or 0.1A/30VDC	
Dielectric Strength	1000VAC for 1 min between current carrying parts 2500VAC for 1 min between non-current carrying parts		
Service Life	Mechanically	2 × 10 ⁷ (operations)	
	Electrically	5 × 10 ⁵ (operations)	
Operating Temperature	-30~+80°C (-22~176°F)		
Humidity	< 98%RH		
Degree of Protection	IP67		

Wiring Diagram



Dimensions Unit: mm



SN1110

Operating Characteristics

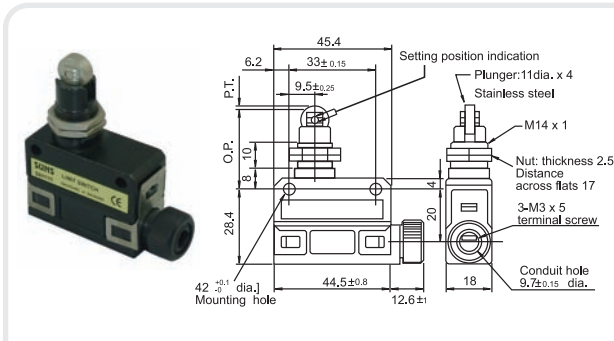
- | | | | |
|---------------------|-------|---------------------|------------|
| • OF _{max} | 11.8N | • OT _{min} | 3 mm |
| • RF _{min} | 4.9N | • MD _{max} | 0.1mm |
| • PT _{max} | 1.5mm | • OP | 25.4±0.8mm |

SN1141

Operating Characteristics

- | | | | |
|---------------------|--------|---------------------|------------|
| • OF _{max} | 4.0 N | • OT _{min} | 4 mm |
| • RF _{min} | 0.78 N | • MD _{max} | 0.3 mm |
| • PT _{max} | 2 mm | • OP | 23.1±0.8mm |

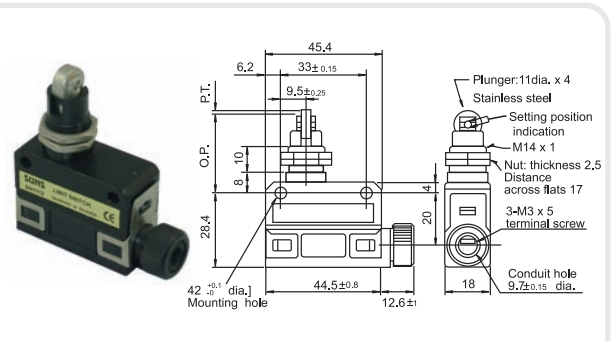
SN1 Series Compact Precision Limit Switches



SN1111

Operating Characteristics

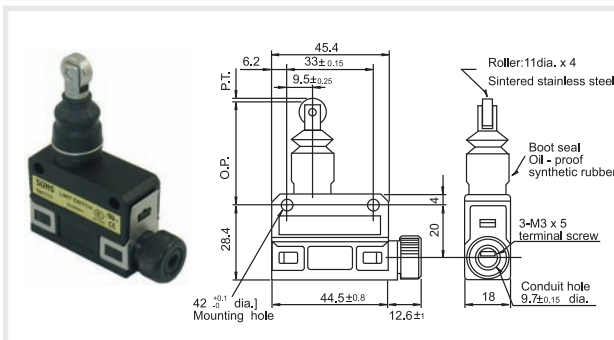
- OF_{max} 11.8N
- RF_{min} 4.9N
- PT_{max} 1.5mm
- OT_{min} 3 mm
- MD_{max} 0.1mm
- OP 31.4±0.8mm



SN1112

Operating Characteristics

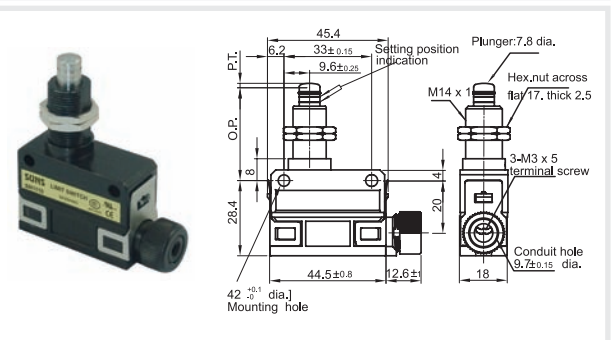
- OF_{max} 11.8N
- RF_{min} 4.9N
- PT_{max} 1.5mm
- OT_{min} 3 mm
- MD_{max} 0.1mm
- OP 31.4±0.8mm



SN1121

Operating Characteristics

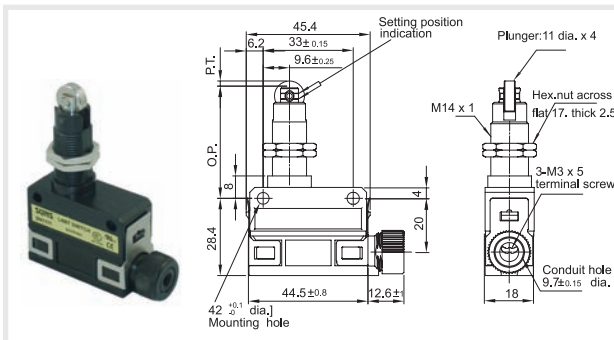
- OF_{max} 11.8N
- RF_{min} 4.9N
- PT_{max} 1.5mm
- OT_{min} 3 mm
- MD_{max} 0.1mm
- OP 41.4±0.8mm



SN1110-E

Operating Characteristics

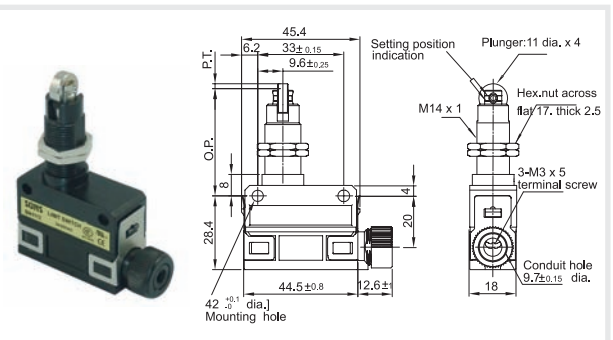
- OF_{max} 11.8N
- RF_{min} 4.9N
- PT_{max} 1.5mm
- OT_{min} 3 mm
- MD_{max} 0.1mm
- OP 35.4±0.8mm



SN1111-E

Operating Characteristics

- OF_{max} 11.8N
- RF_{min} 4.9N
- PT_{max} 1.5mm
- OT_{min} 3 mm
- MD_{max} 0.1mm
- OP 41.4±0.8mm



SN1112-E

Operating Characteristics

- OF_{max} 11.8N
- RF_{min} 4.9N
- PT_{max} 1.5mm
- OT_{min} 3 mm
- MD_{max} 0.1mm
- OP 41.4±0.8mm